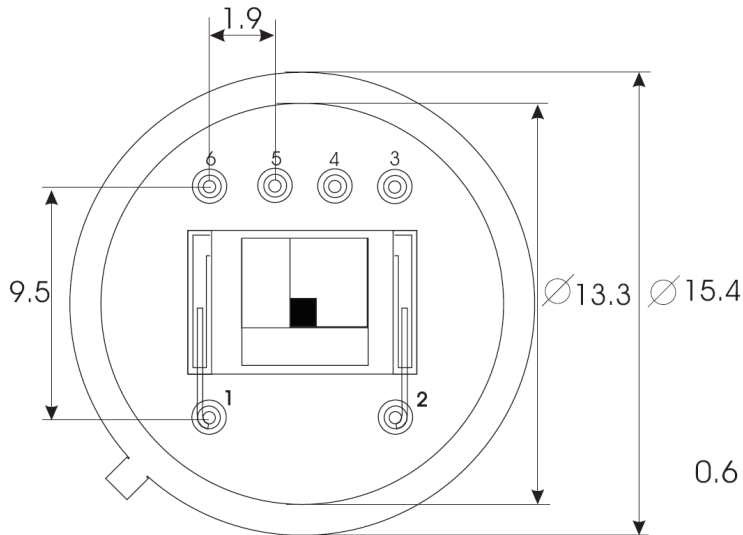


## FNPL-TO 8 Package Drawing

(all dimensions in mm)

**Front-View**



**Pin Out**

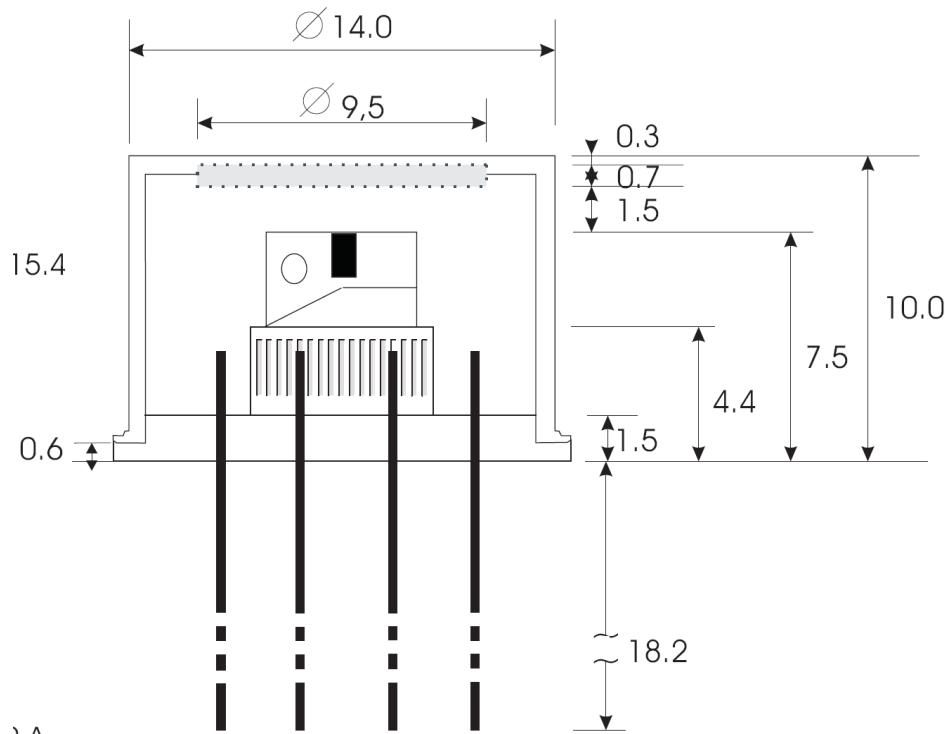
- 1: TEC (-)
- 2: TEC (+)
- 3: Thermistor
- 4: Thermistor
- 5: LD Cathode(-)
- 6: LD Anode (+)

**TEC**

$I_{max} = 1.10A$   
 $U_{max} = 2.2V$   
 $Q_{max} = 1.60W$   
 $dT_{max} = 73K$

**NTC: 10kOhm**

**Side-View**



1 A