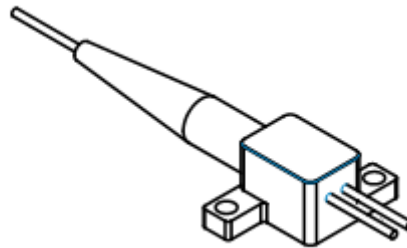
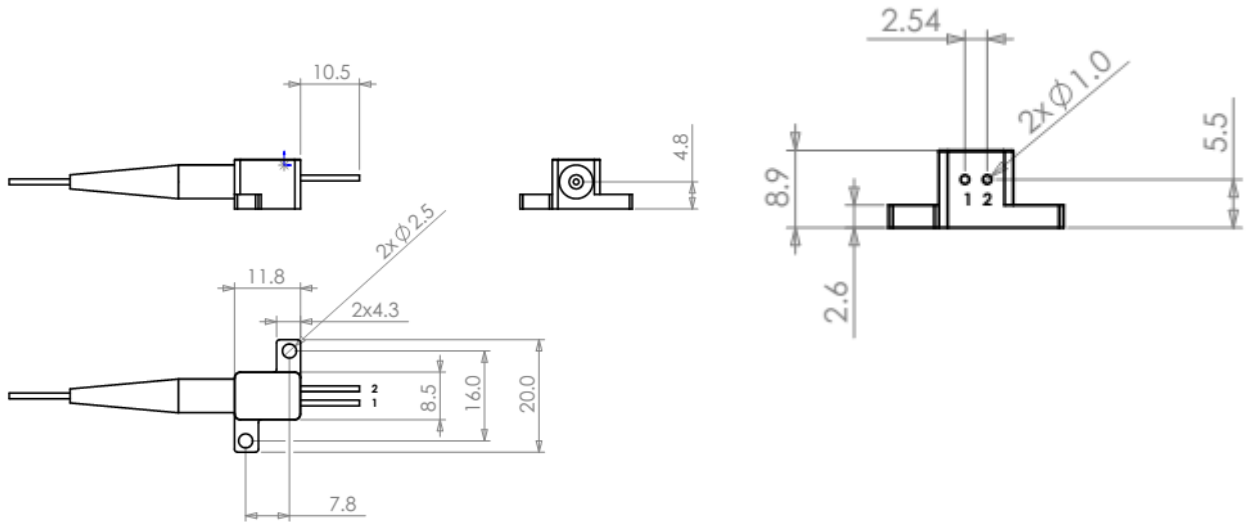


FLX-FC-2pin-coax Package Drawing

(all dimensions in mm)



Pin-out	
1 Laser Anode (+)	2 Laser Cathode (-)