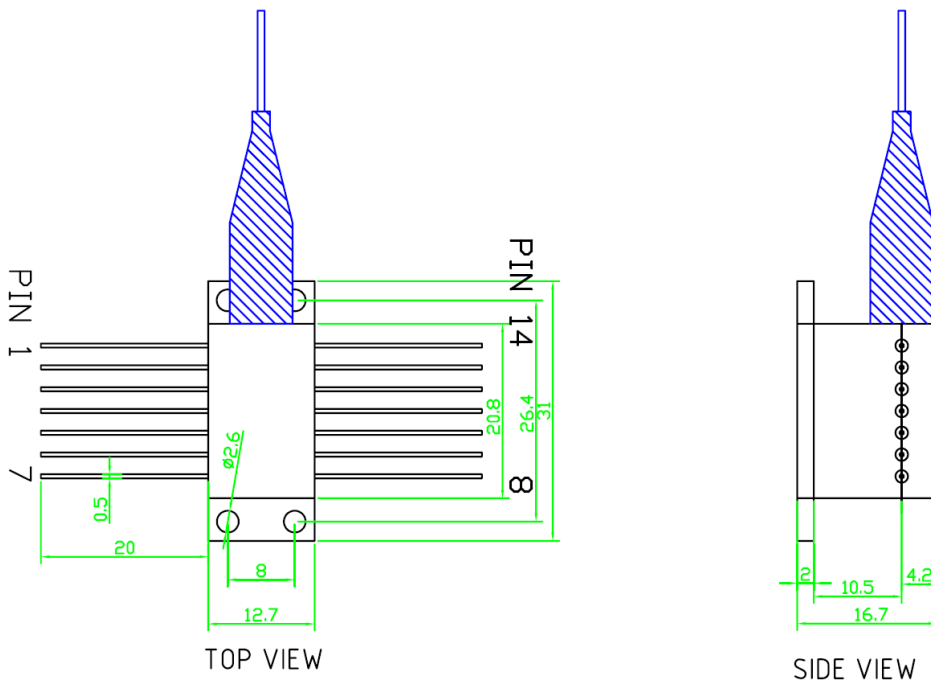


FAXD-BTF-MM cooled 14pin Drawing
(all dimensions in mm)



PIN OUT	
1 TEC(+)	14 TEC(-)
2 Thermistor	13 Case Ground
3 PD Anode	12 NC
4 PD Cathode	11 Laser Cathode(-)
5 Thermistor	10 Laser Anode(+)
6 NC	9 NC
7 NC	8 NC