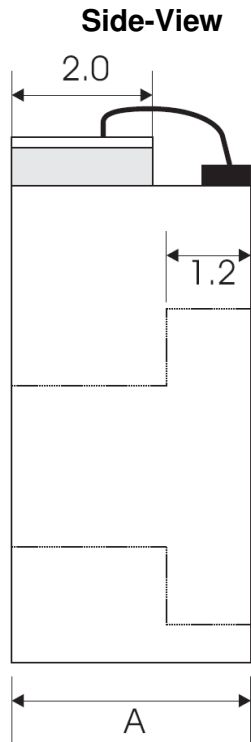
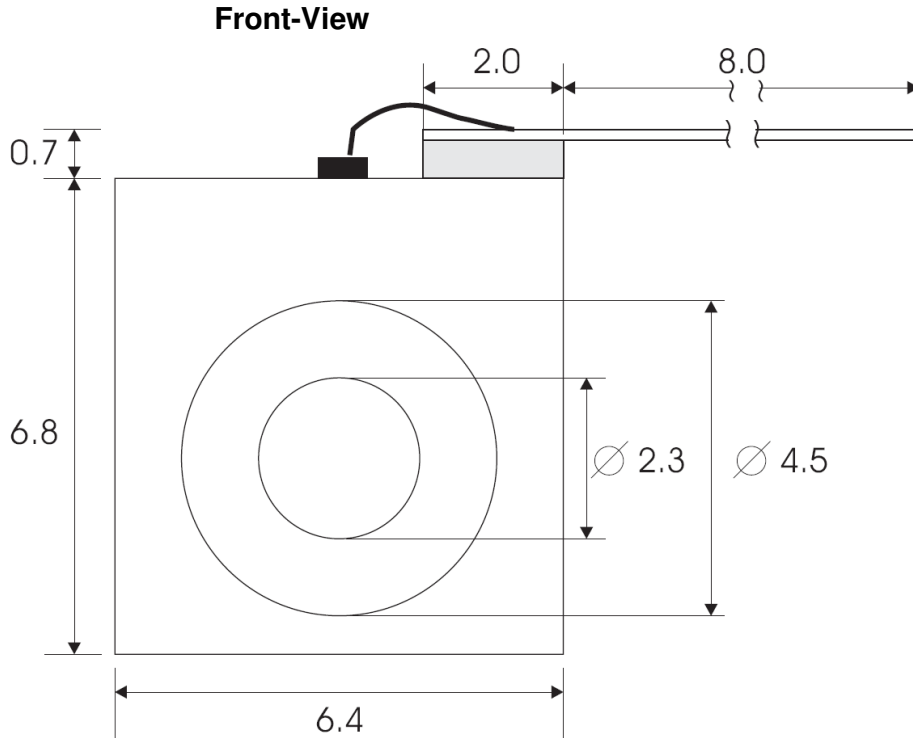


## FNPL-C-Mount Package Drawing

(all dimensions in mm)



Type	A
C-Mount-21	2.1
C-Mount-28	2.8
C-Mount-41	4.1