



FPYL-510-10T-FC-PM

Green Fiber-coupled Diode Laser System

Specifications

Wavelength (nm)	510±5
Output Power (mW)	10
Operating Mode	CW
Power Stability (RMS, over 4 hours)	<1%, <3%, 5%*
Warm-up Time (minutes)	<5
Beam Height from Base Plate (mm)	24.8
Polarization Ratio	>100:1
Expected Lifetime (hours)	10000
Operating Temperature (°C)	10 - 35

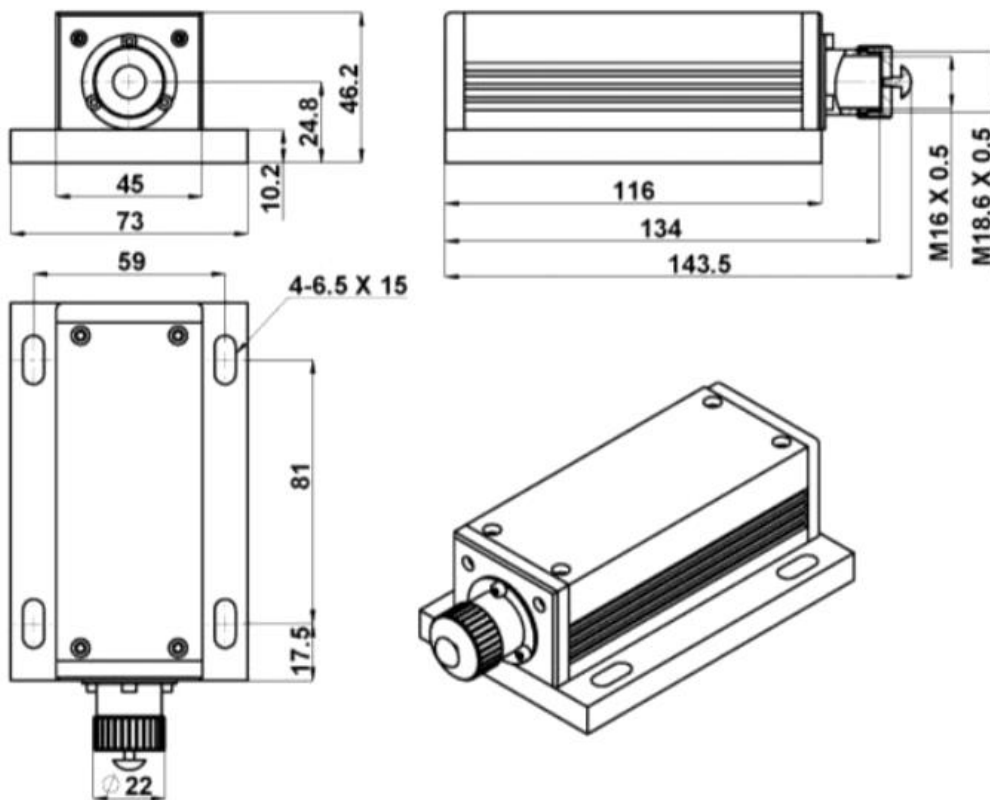
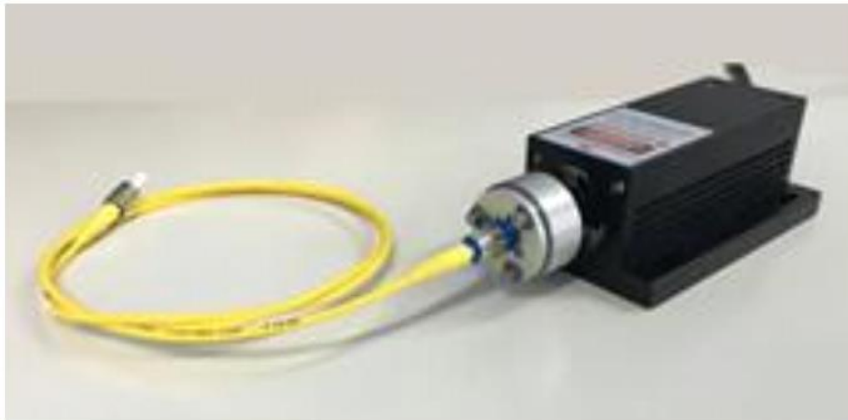
*To be specified

Optical Fiber

Fiber Type	PM Fiber
Length (m)	1
Connector	SMA905 or FC/PC*

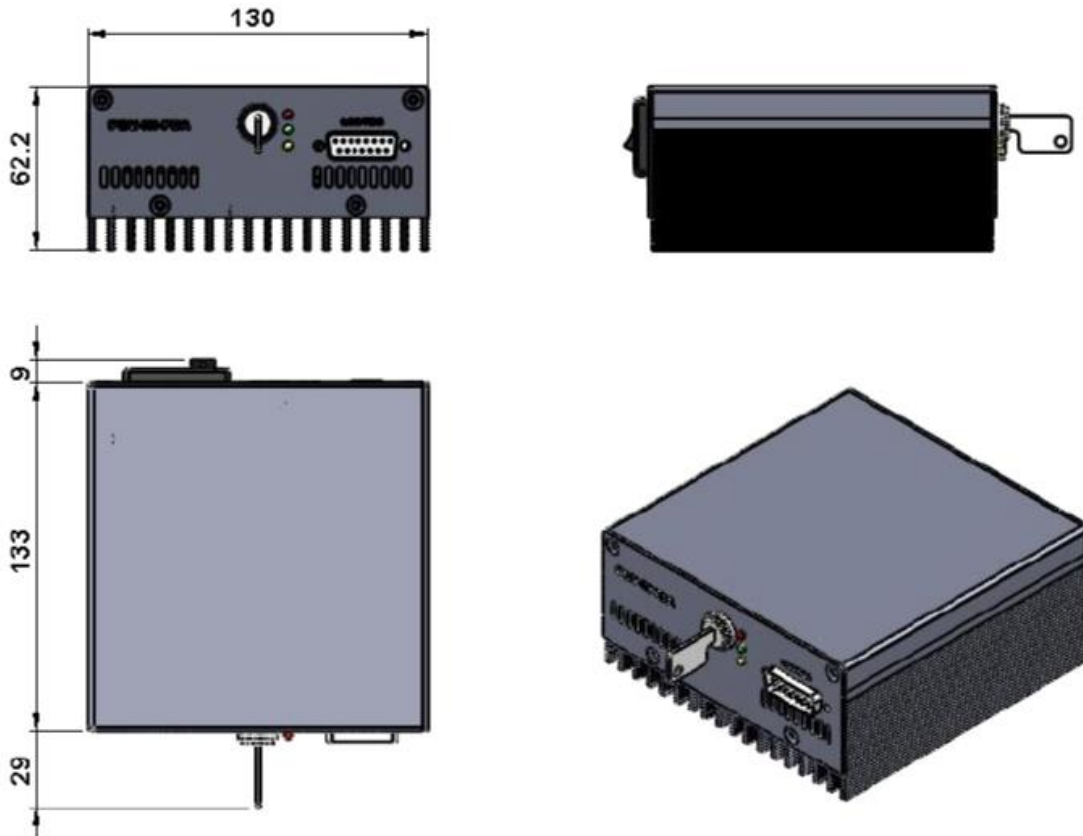
*To be specified

Laser Head Drawing



143.5(L)×73(W)×46.2(H) mm³, 0.7kg

Power Supply Drawing



171(L) × 130(W) × 62.2 (H) mm³, 1.2kg