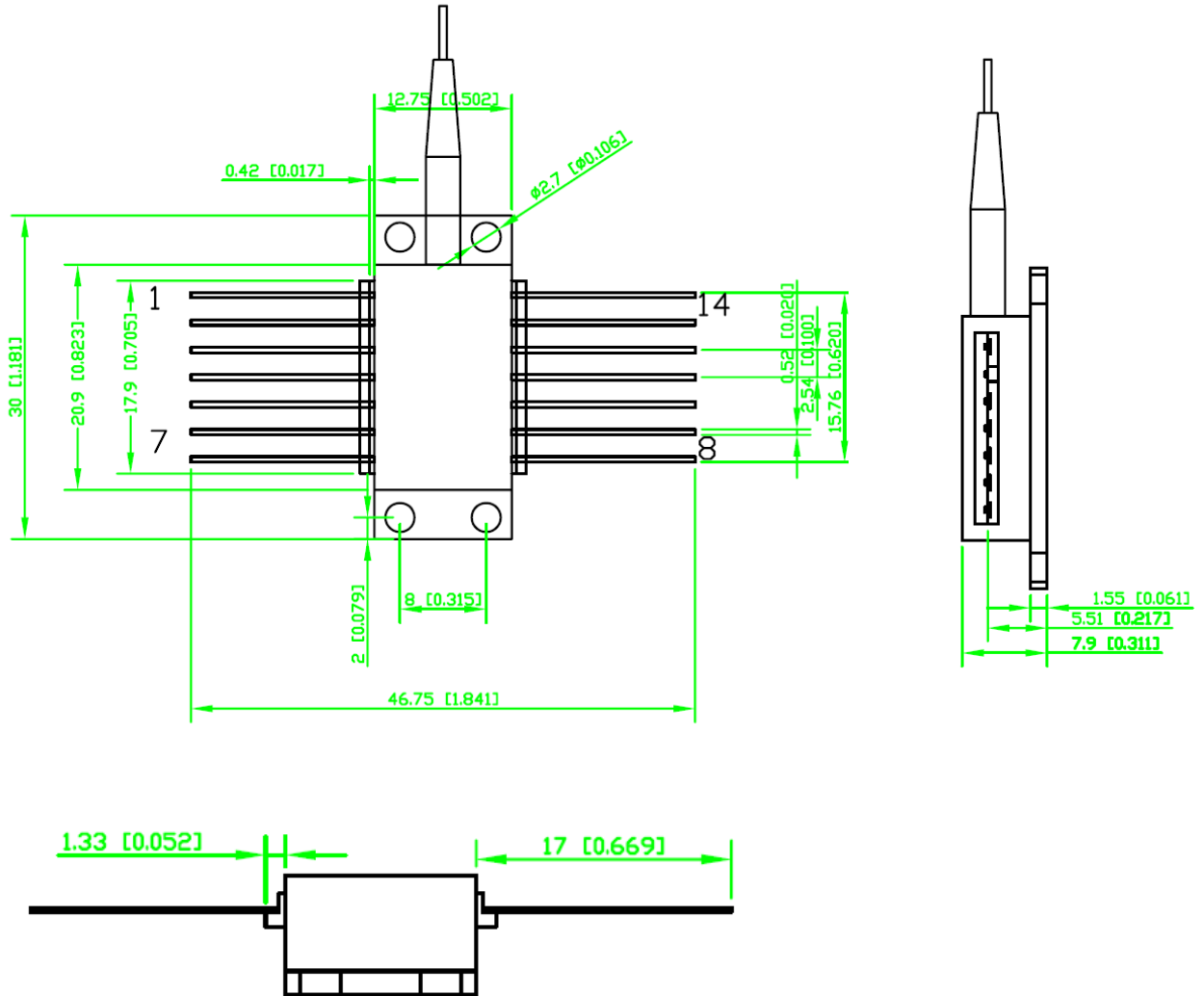


FAXD-BTF-SM cooled 14pin Drawing
(all dimensions in mm)



PIN OUT

- | | |
|--------------|---------------------|
| 1 TEC(+) | 14 TEC(-) |
| 2 Thermistor | 13 Case Ground |
| 3 PD Anode | 12 NC |
| 4 PD Cathode | 11 Laser Cathode(-) |
| 5 Thermistor | 10 Laser Anode(+) |
| 6 NC | 9 NC |
| 7 NC | 8 NC |