

1

2

3

4

5

6

RevNo	Revision note	Date	Signature	Checked
-------	---------------	------	-----------	---------

A

A

B

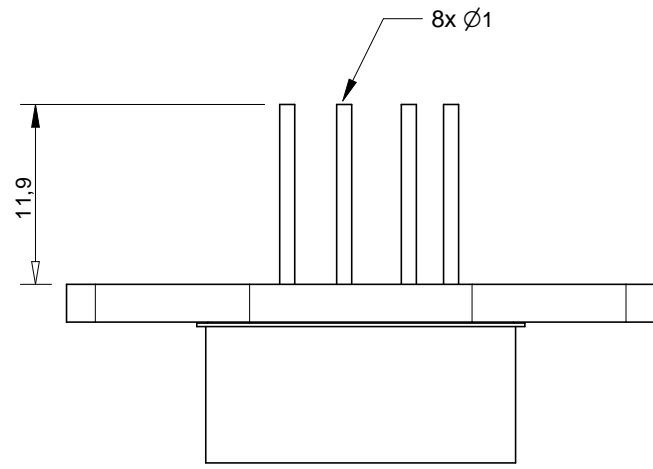
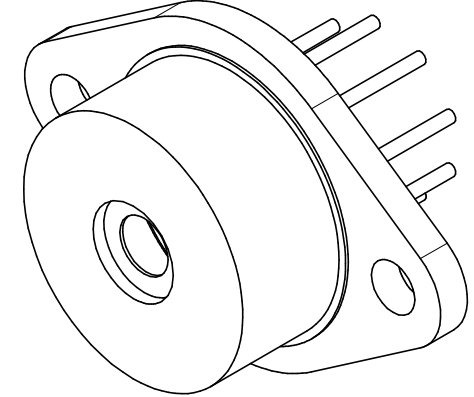
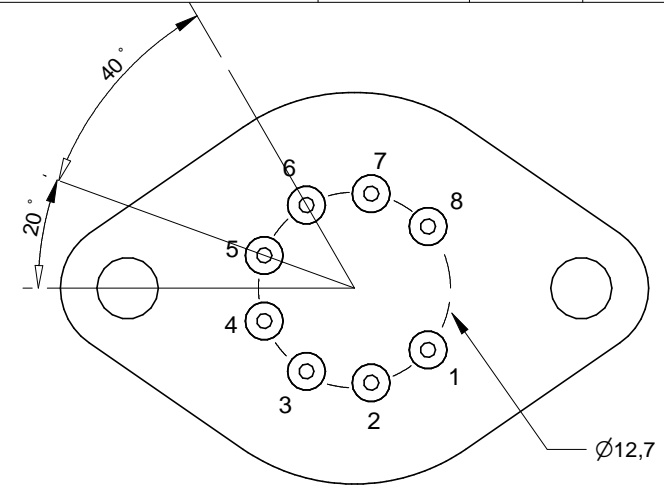
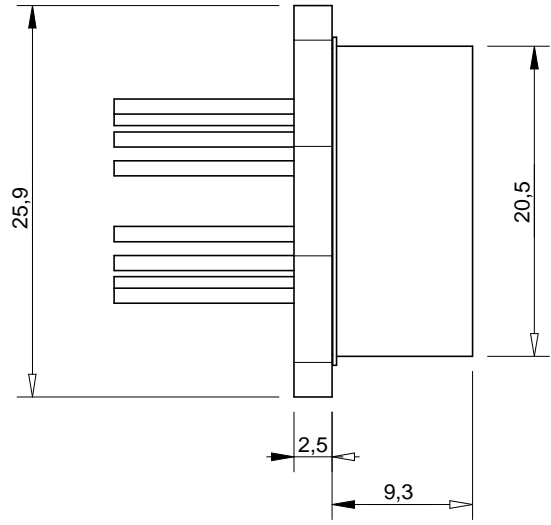
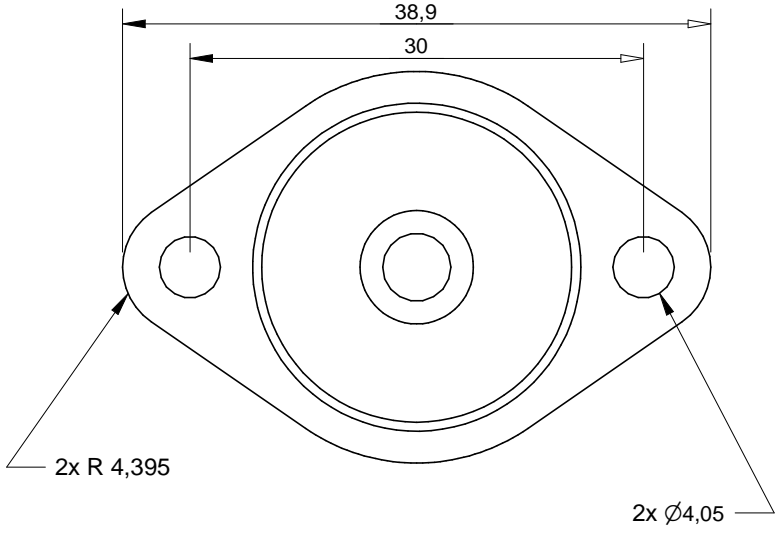
B

C

C

D

D



Itemref	Quantity	ICL TO3 dimensions			Article No./Reference	
Drawn by W.Z.		Date 2013-03-25	Approved by - date	Material	File name	Scale 2:1
					Drawing No.	Edition
					All dimensions are in mm	

1

2

3

6