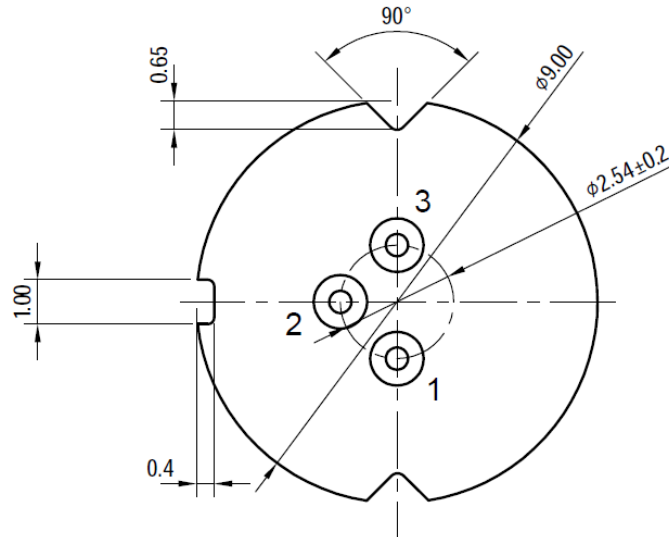


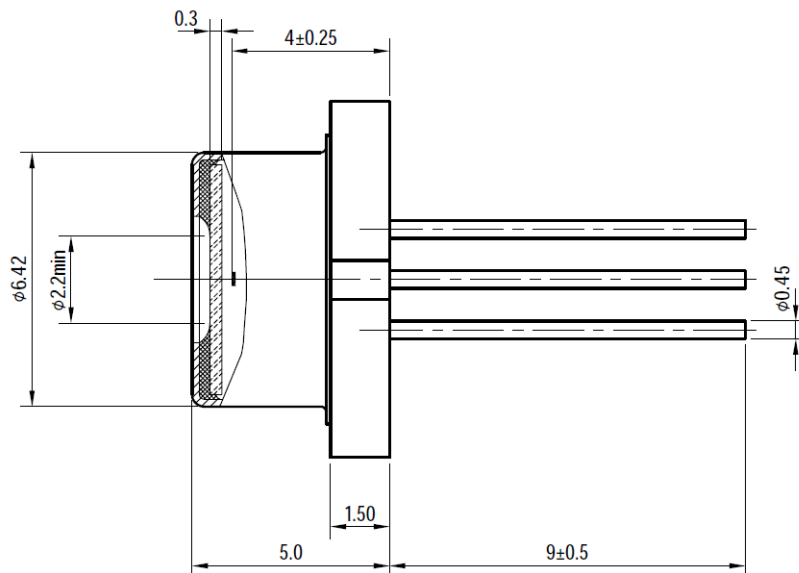
Package FSLD-T09

Drawing
(all dimensions in mm)

Back-View



Side-View



Electrical Connections

- 1: SLD Anode (+)
- 2: Common, Case (-)
- 3: PD Cathode (+)