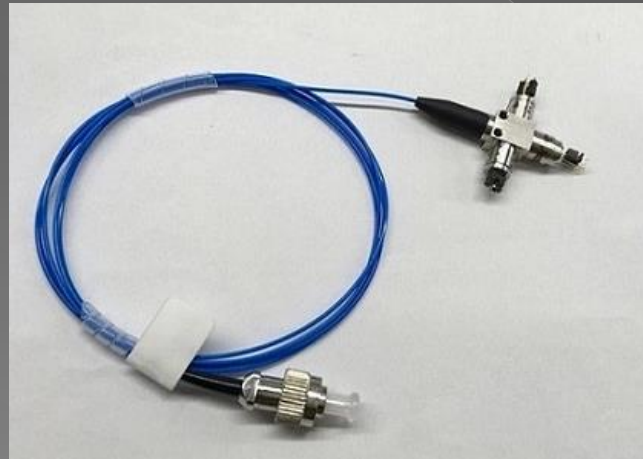


FWSX-RGB Pigtailed White Laser Module

638nm+450nm+520nm



Description

The FWSX RGB Laser Module includes the Red(638nm), Blue(445nm) and Green(520nm) diode laser, with certain proportion, it can get perfect white laser.

We adopt laser welding process to ensure high stability and long-term reliability, Meanwhile, a unique design is adopted to guarantee the low noise .

Each Laser will undergo rigorous aging , test and high-low-temperature cycle to ensure high quality of the laser diode module.

Application

- ◉ Aiming Beam
- ◉ Illumination
- ◉ Bioscience
- ◉ Endoscopy
- ◉ Others

Feature

- ◉ Long Life Time
- ◉ Low Noise
- ◉ High Stability
- ◉ Compact Package
- ◉ Various WL Optional
- ◉ SMF/PMF/MMF Optional

Parameter with SMF

Single Mode FWSX-RGB Pigtailed Laser Module

10mW Version

Port	WL	Po	Io	Vo	Fiber Core	NA	Fiber Type	Fiber Brand
1	638nm	10mW	160mA	2.7V	3um	0.13	SM	NUFERN
2	520nm	10mW	180mA	7.0V				
3	445nm	10mW	100mA	6.0V				

20mW Version

Port	WL	Po	Io	Vo	Fiber Core	NA	Fiber Type	Fiber Brand
1	638nm	20mW	180mA	2.7V	3um	0.13	SM	NUFERN
2	520nm	20mW	200mA	7.0V				
3	445nm	20mW	120mA	6.0V				

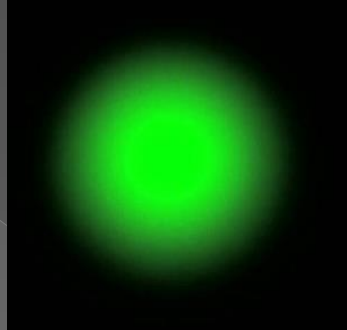
- Fiber Type (SMF,PMF,MMF) Optional
- Other Output Power Optional

Beam with SMF

638nm Red



520nm Green



445nm Blue



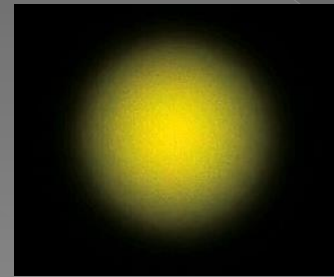
MIX



PINK



WHITE



YELLOW



VIRIDIS

Parameter with MMF

FWSX-RGB Pigtailed Laser Module with 105um MMF

50mW Version

Port	WL	Po	Io	Vo	Fiber Core	NA	Fiber Type	Fiber Brand
1	638nm	>50mW	160mA	2.7V	105um	0.22	MM	NUFERN
2	520nm	>50mW	200mA	7.0V				
3	445nm	>50mW	120mA	6.0V				

- Different Fiber Core(50um/105um/200um/400um) Optional
- Other Output Power Optional

Package

Coaxial Package



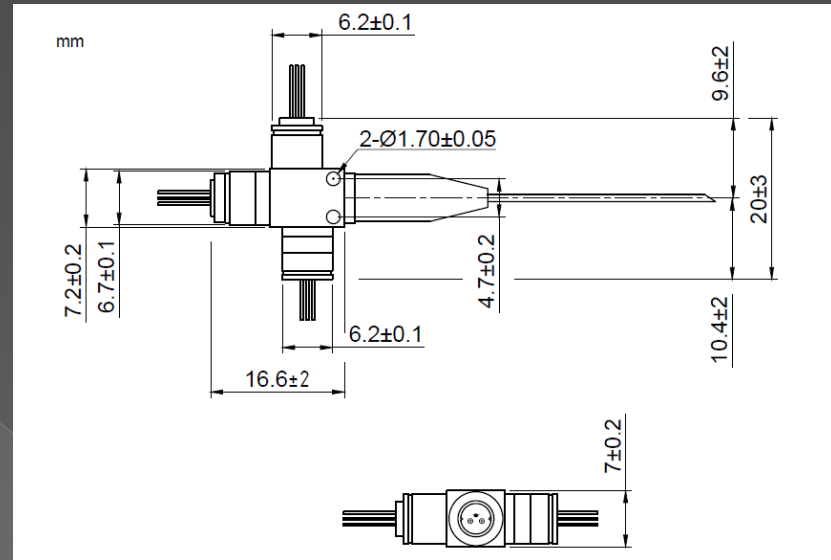
HHL Package

- Built-in TE Cooler
- Built-in Thermistor
- Compact Package



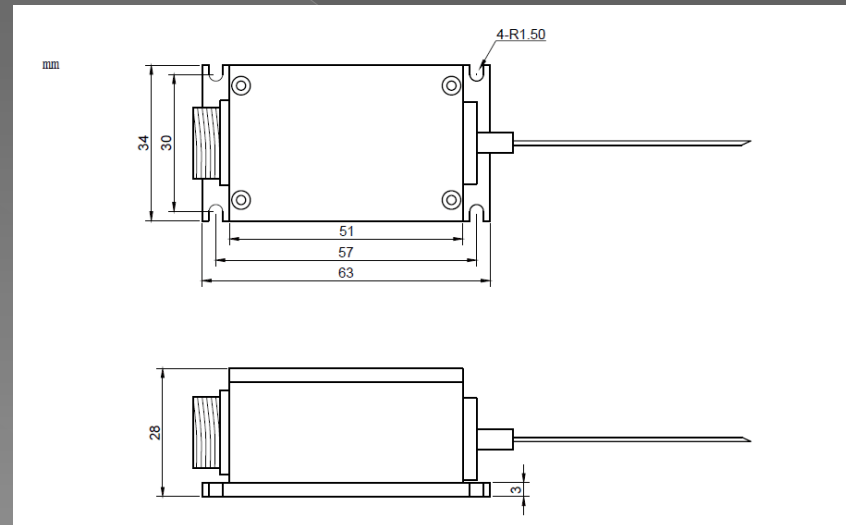
Drawing

Coaxial Package

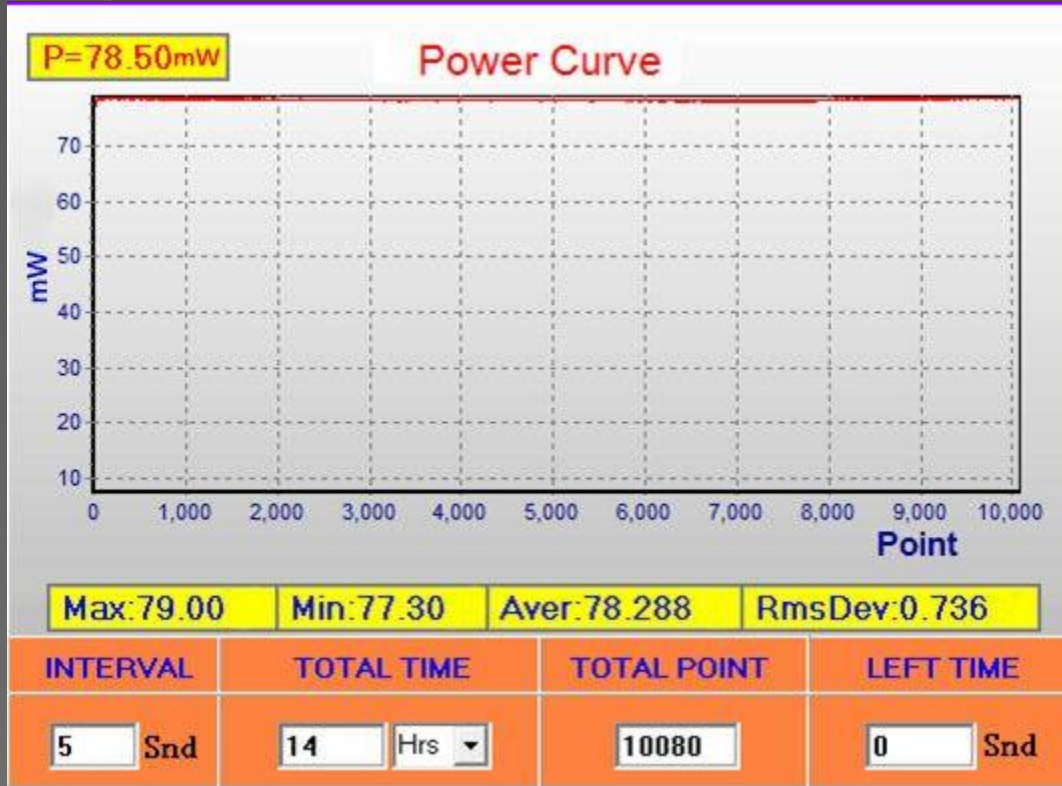


HHL Package

- Built-in TE Cooler
- Built-in Thermistor
- Compact Package



Power Stability



- Test time: 14 Hours
- Work Mode: ACC
- Control Temperature: 25 Degree Centigrade

Customized Solution

○ Various Wavelength Optional

Port-1	Port-2	Port-3
Blue Laser	Green Laser	Red Laser
405nm 445nm 488nm	505nm 520nm	638nm 658nm 670nm 685nm

- You can choose the different color laser from Blue, Green and Red Laser as the Port-1, Port-2 and Port-3, such as **405nm+520nm+658nm**
- Other Wavelength solution also available , such as **405nm+488nm+785nm**

○ Various Fiber Type Optional

SM Fiber	PM Fiber	MM Fiber
3um	3um	9um 50um 105um 200um

Duplex Laser Module

- We also offer the **Duplex Pigtailed Laser Module** such as **638nm+520nm**
- Various wavelength is optional
- Various Fiber Type is optional (SMF/PMF/MMF)

Thank You !

- Please visit www.frlaserco.com for more information
- Please contact us by sales@frlaserco.com