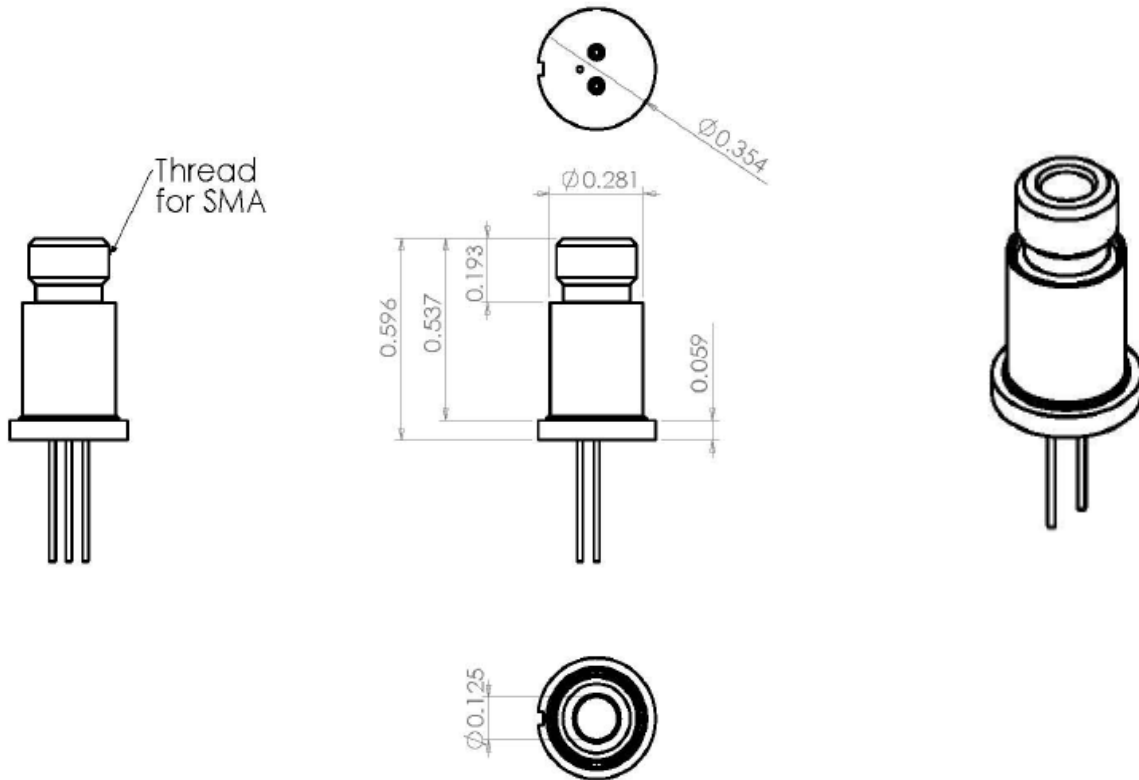


9mm FC SMA Package Drawing

(all dimensions in mm)



Minimum fiber size for this package is dependent on the emitter size of the laser diode. Minimum fiber sizes are:

50um emitter	200um fiber
100um emitter	400um fiber
150um emitter	400um fiber
200um emitter	400um fiber
300um emitter	600um fiber