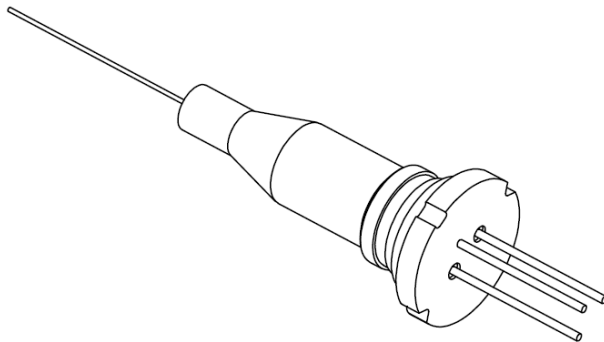
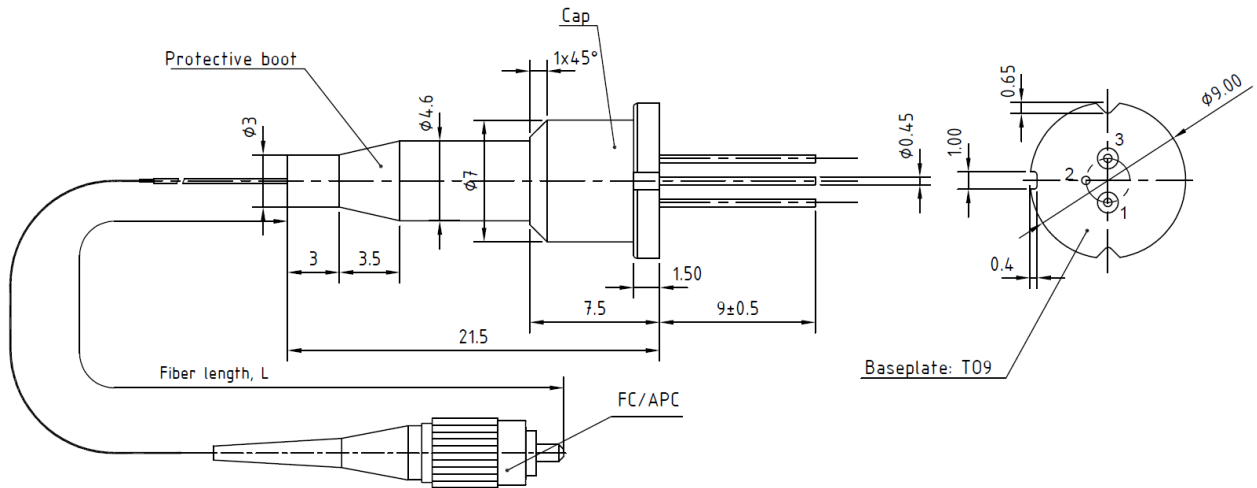


## Package FSLD-TOSA\_T09

### Drawing (all dimensions in mm)



1. All dimensions are in millimeters (mm).
2. Tolerances: .x ± 0.2 mm.  
.xx ± 0.10 mm.
3. Baseplate final plating: Au.
4. Cap final plating: Ni.
5. Fiber length - 650 -1000 mm.
6. 900um loose-tube fiber.

### Electrical Connections

- 1: SLD Anode (+)
- 2: Common, Case (-)
- 3: PD Cathode (+)