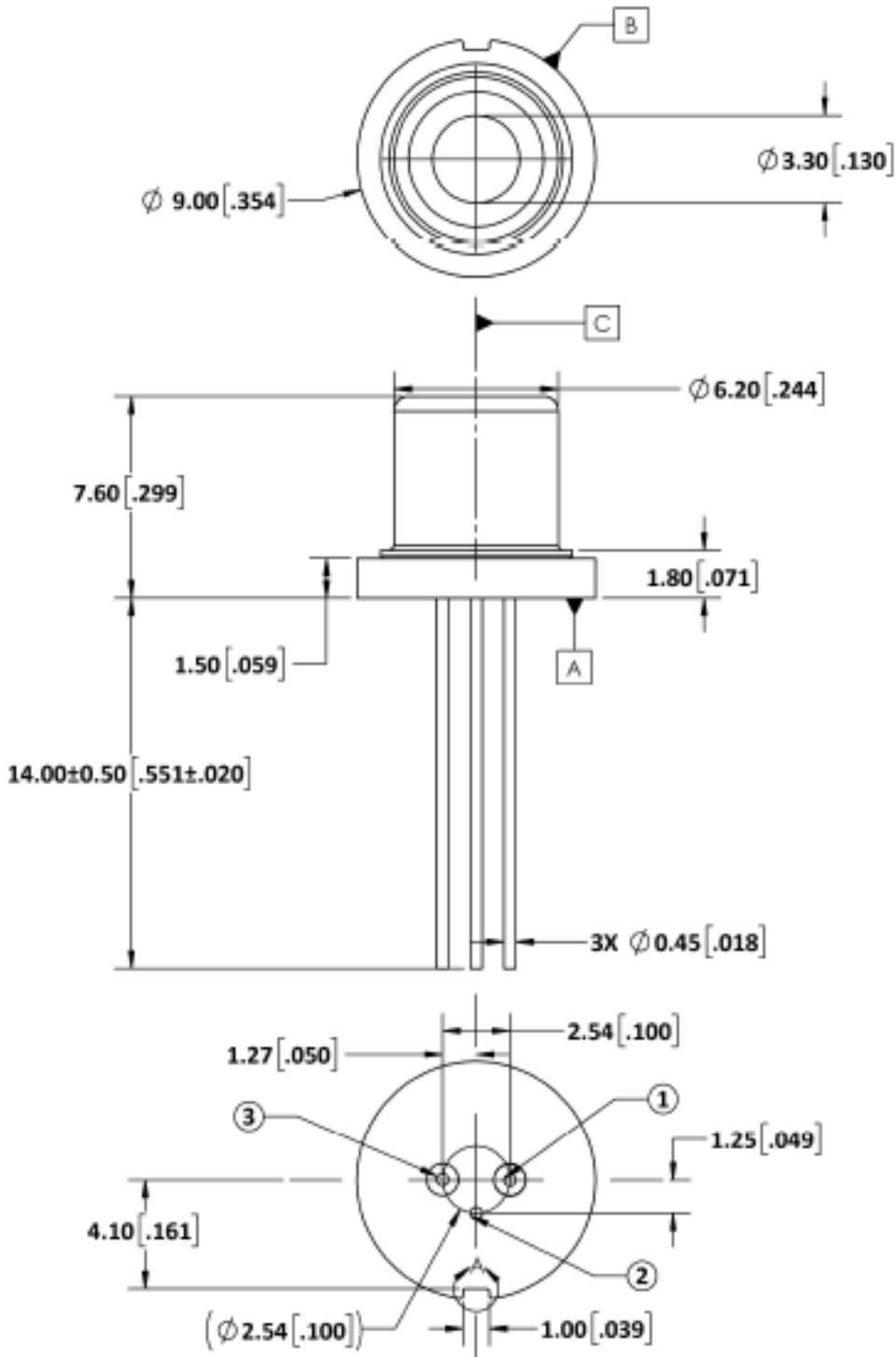


### FAXD-9mm Tall Package Drawing (For Reference Only)

(all dimensions in mm)



## **Pin-out Options for Multimode Laser Diodes \***

### **N-Type**

- 1: LD Cathode (-)**
- 2: Case / LD Anode (+)**
- 3: Not Connected**

### **N-Type with PD**

- 1: LD Cathode (-)**
- 2: Case / LD Anode (+) / PD Cathode (-)**
- 3: PD Anode (+)**

## **Pin-out Options for Single Mode Laser Diodes \***

### **N-Type**

- 1: LD Cathode (-)**
- 2: Case / LD Anode (+)**
- 3: Not Connected**

### **N-Type with PD**

- 1: LD Cathode (-)**
- 2: Case / LD Anode (+) / PD Cathode (-)**
- 3: PD Anode (+)**

### **P-Type**

- 1: LD Anode (+)**
- 2: Case / LD Cathode (-)**
- 3: Not Connected**

### **P-Type with PD-A**

- 1: LD Anode (+)**
- 2: Case / LD Cathode (-) / PD Cathode (-)**
- 3: PD Anode (+)**

### **P-Type with PD-B**

- 1: LD Anode (+)**
- 2: Case / LD Cathode (-) / PD Anode (+)**
- 3: PD Cathode (-)**

\* To be confirmed on the order acceptance