



FRLD-796/808-3600W-Stack

High Power Laser Diode Stack

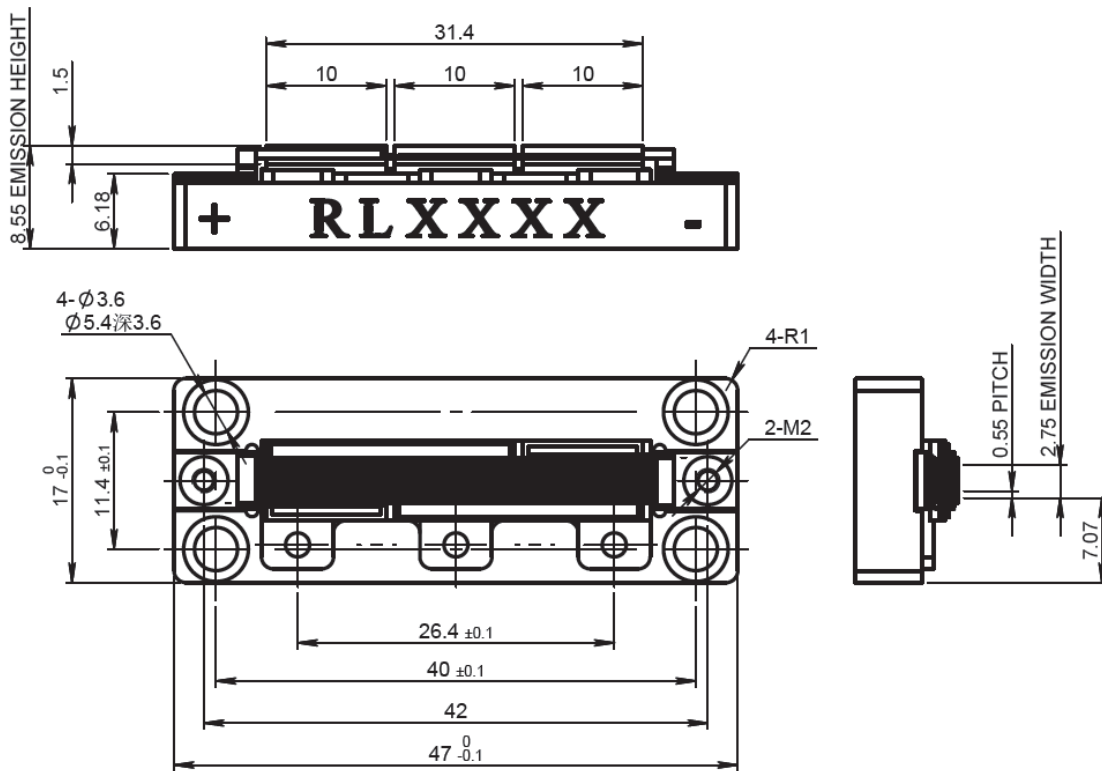
Features: Hard Solder Package
 High Temperature Application
 High Peak Power
 High Reliability
 Dual Wavelength

Applications: Pumping
 Scientific Research

Specifications	Unit	Min	Typ	Max
Optical Data				
Center Wavelength λ	nm	793 805	796 808	799 811
CW Output Power / Bar	W	-	200	-
Number of Bars / Wavelength		- -	9 9	- -
Space between Bars	mm	-	~0.55	-
Spectral Width (FWHM)	nm	-	-	5
Fast Axis Divergence Angle		-	40°	-
Slow Axis Divergence Angle		-	10°	-
Temperature Drift of λ	nm/°C	-	~0.3	-
Electrical Data (Bar)				
Threshold Current	mA	-	-	30
Operation Current	mA	-	-	230
Slope Efficiency	W/A	1.1	-	-
Operation Voltage	V	-	-	2.1
Pulse Width	μ s	-	-	300
Repetition Rate	Hz	-	-	30
Duty Cycle	%			0.7

Temperature Conditions				
Operation Temperature	°C	0	-	60
Storage Temperature	°C	0	-	80

Mechanical Drawings (in mm)



AA01