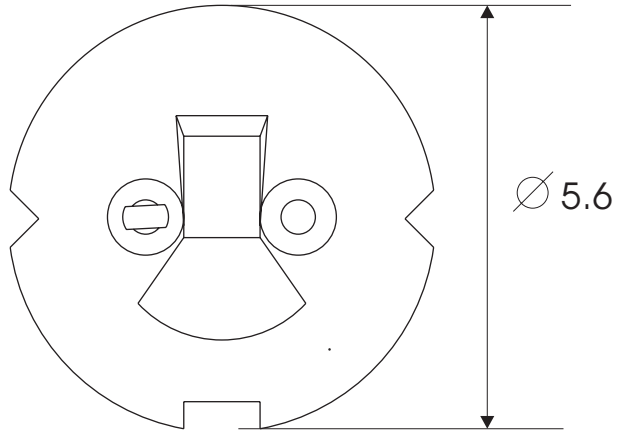
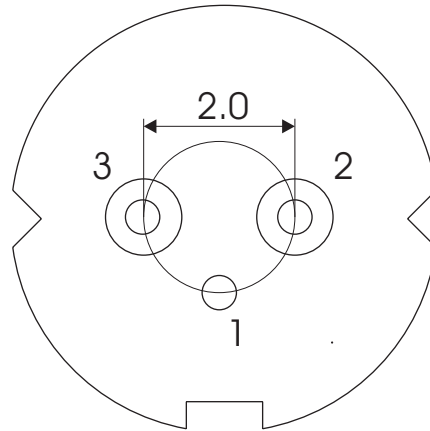


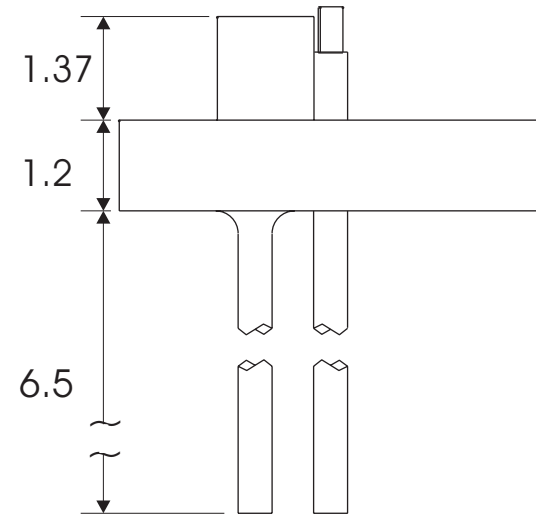
Front-View



Back-View



Side-View



PIN FUNCTIONS:

PIN	FUNCTION
1	Laser (-) / Case
2	Laser (+)
3	NC

Dimension: mm	Scale: 10:1
TITLE: T0 5.6 mm - Header	
DWG NO. T056 - 01 (1.2.2005)	A4