



## FRLD-1535-10µJ-Q

### Erbium Glass Laser

#### Applications

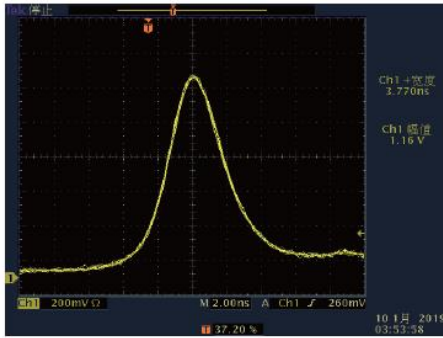
- Obstacle Avoidance Radar
- Laser Range Finder
- Metrological Radar

#### Key Features

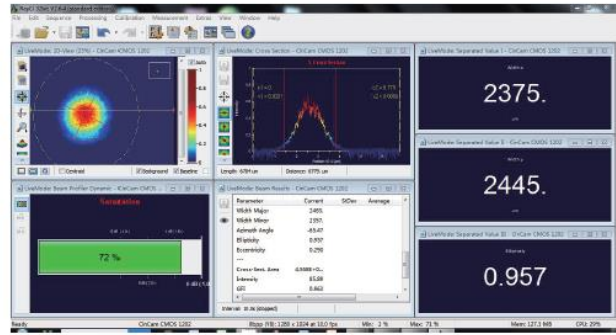
- Passively Q-Switched, Er:Glass
- Eye-safe
- Compact Design
- Wide Operating Temperature Range

#### Specifications

|                             |                    |
|-----------------------------|--------------------|
| Wavelength (nm)             | 1535               |
| Pulse Energy (µJ)           | 10                 |
| Pulse Width (FWHM) (ns)     | ≤6                 |
| Pulse Repetition Rate (kHz) | 5                  |
| Operation Current (A)       | 5                  |
| Operation Voltage (V)       | 2                  |
| Beam Diameter (mm)          | 0.3                |
| Beam Divergence (mrad)      | ≤18 (FWHM)         |
| Beam Pointing               | <0.2°              |
| Transversal Mode            | TEM <sub>00</sub>  |
| Operating Temperature (°C)  | -40~+65            |
| Storage Temperature (°C)    | -55~+80            |
| Dimensions (mm)             | 21 x 8 x 7 (LxBxH) |
| Weight (g)                  | ≤10                |

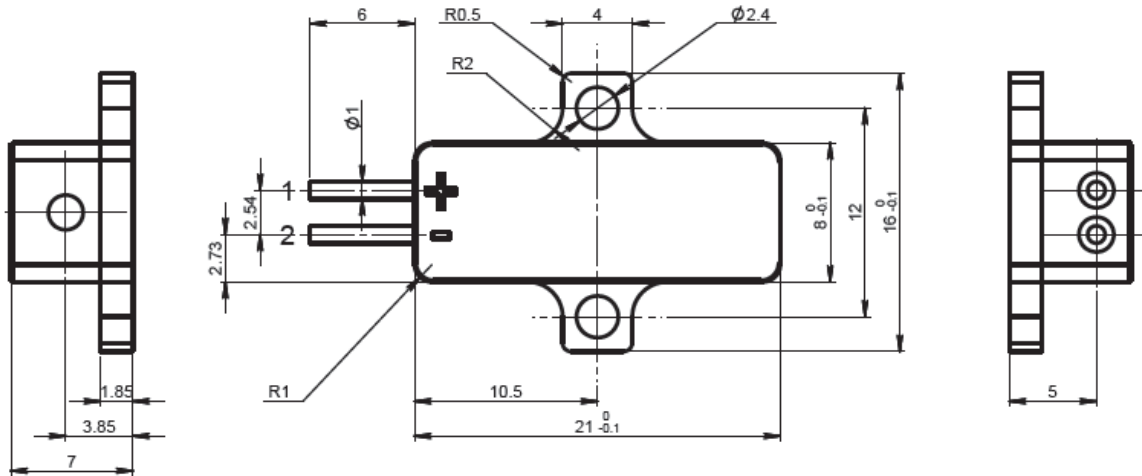


Typical Pulse



Beam Profile

## Drawing



| Pin | Function  |
|-----|-----------|
| 1   | Laser (+) |
| 2   | Laser (-) |