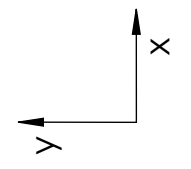
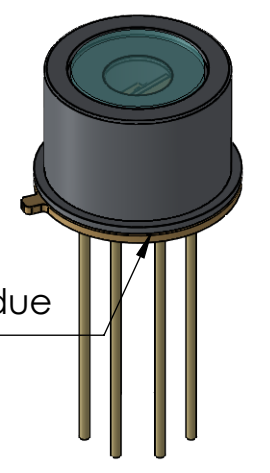
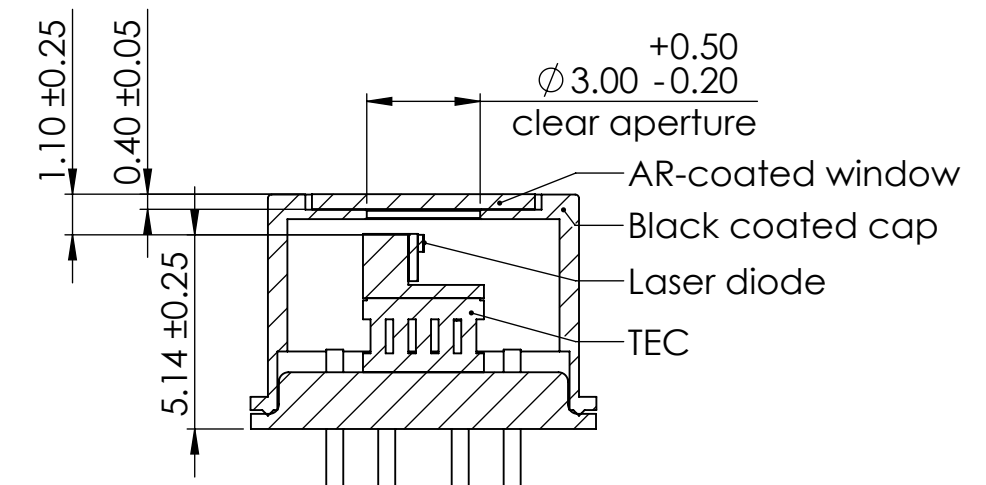
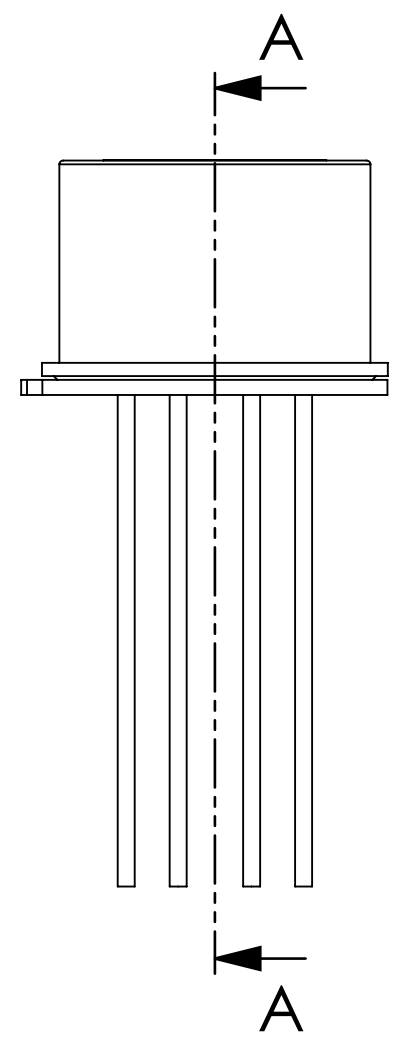
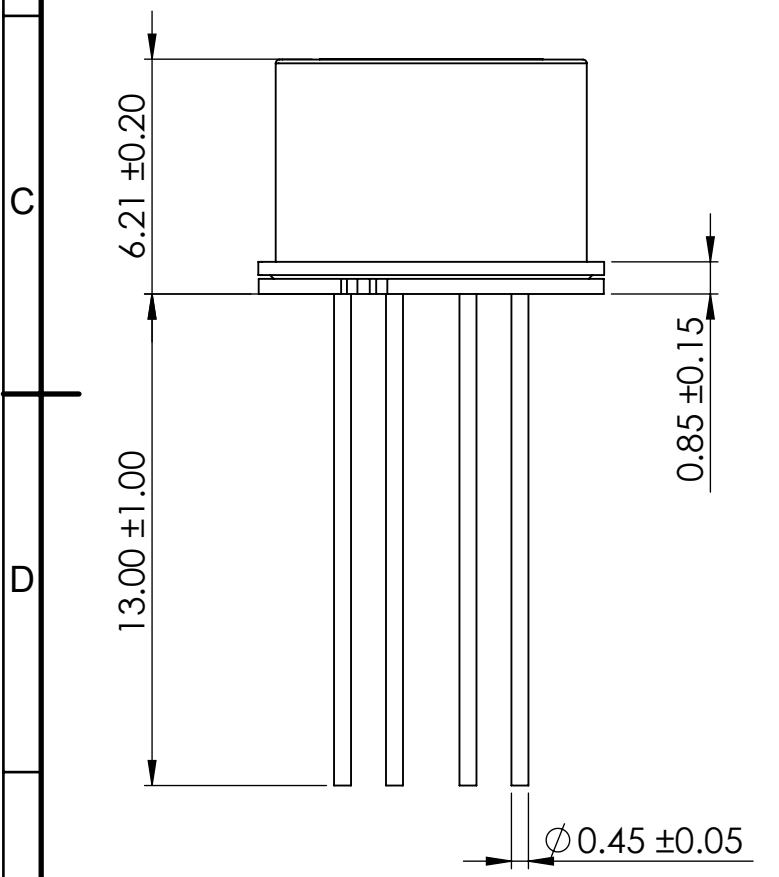


Emission point:
centered on header
tolerances:
x: ± 0.3 mm
y: ± 0.2 mm

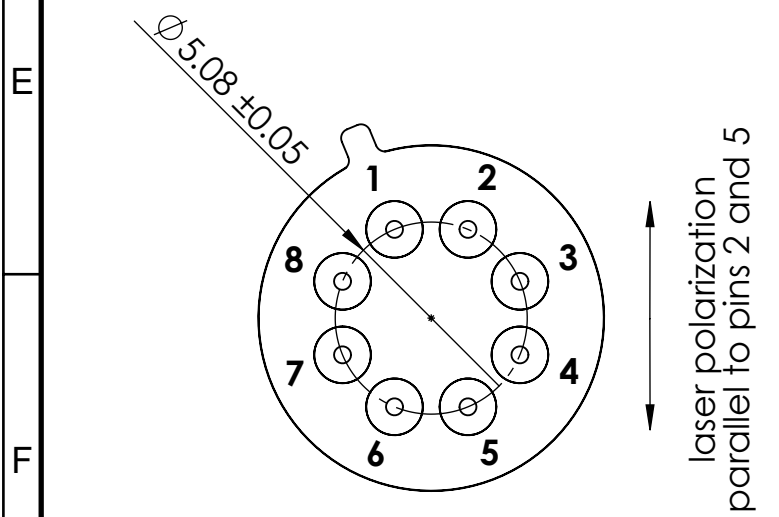


Notes:

1. Package is sealed under dry air (~10 % O₂) OR dry nitrogen atmosphere
2. The laser device is not designed for any reverse operation
3. Parts sold from stock may still have 2.5 mm clear aperture



SECTION A-A



Pin Assignment:

- 1: laser anode (+)
- 2: laser cathode (-)
- 3: TEC cathode
- 4: TEC anode
- 5: thermistor
- 6: thermistor
- 7: N/C
- 8: N/C

Material:		Description:	
Finish:		Drawn by: WZ	
Unless Otherwise Stated: ISO 2768 fK Surface Finish: All Dimensions: mm		Drawn Date: 20.04.2021	
Drawing Scale: 5:1		Checked/Approved by: SZ	
Approx Weight: g	Drawing Produced In Accordance With: BS8888	Checked/Approved Date: 26.04.2021	
Projection Method: THIRD ANGLE	Sheet Size: A3	Part Name: TO5 Header w/ cap and window	
		Drawing Number: _____	
		Sheet: _____	
		Revision: _____	