

Stradus® VersaLase™



The Stradus® VersaLase™ laser module is a fully integrated, plug and play, self-contained multiple wavelength output laser module. The patented sealed optical cavity and the innovative electronics give the VersaLase unparalleled power stability, beam pointing stability, and low noise over time and temperature. Vortran's Graphical User Interface (GUI) software allow the user to control and monitor the module



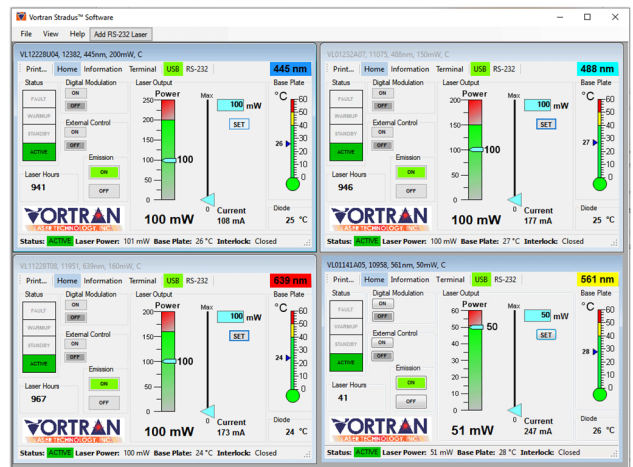
Specifications

Wavelengths (nm)

375 ± 5, 395 ± 5, 405 ± 5, 420-425, 445 ± 5, 473 ± 5, 488 ± 5, 505 ± 2, 515 ± 5, 532 ± 1, 561 ± 1, 594 ± 1, 633 ± 3, 639 ± 5, 647 ± 5, 660 ± 10, 685 ± 10, 690 ± 10, 705 ± 10, 730 ± 10, 785 ± 10

Power Output (mW, for each line at source)	Up to 300mW (-0%, +1-%)
Output	Free space, SM, PM and MM fiber options
Power Stability (over 24 hours) ¹	<2%
Polarization Extinction Ratio	>100:1
RMS Noise (10 Hz to 10 MHz)	< 0.5 % for 532 nm < 0.25 % for 514 nm < 0.15 % for 488 nm < 0.1 % for all others
Communication	USB-Micro B
Modulation Depth (for most wavelengths) ²	Infinite
Power Input	12V, 10A
CDRH Class	Class 3b
ESD Protection	Class 4
RoHS Compliance	EU and China
Dimensions (L x W x H)	9.6 x 6.2 x 2.5in

- Medical, Biomedical & Industrial
- Patented Sealed Optical Cavity
- Self-contained & Compact
- Unprecedented Lifetime Stability
- Excellent Beam Quality
- Low Noise
- USB Interface
- Single Interface for Multiple-Wavelength Outputs



Specifications subject to change without notice

¹T=±3°C

²Not for all wavelengths



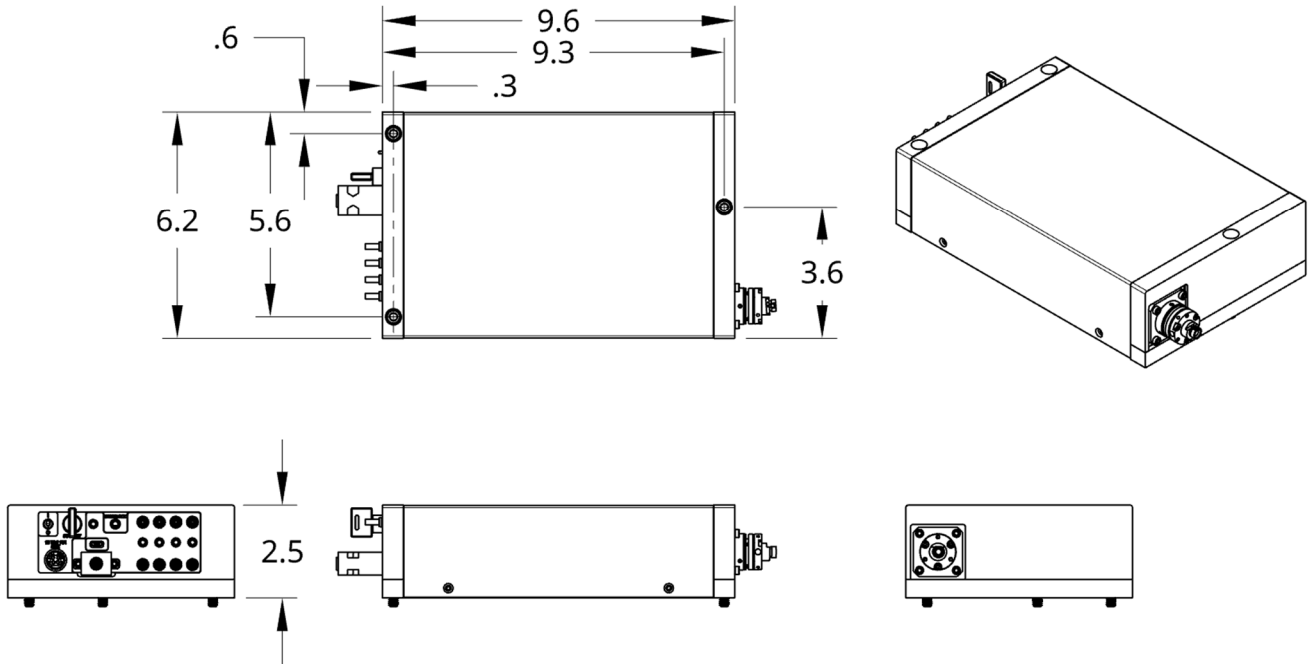
Frankfurt Laser Company

Email: sales@frlaserco.com Website: www.frlaserco.com

Source Systems, Inc. 2023-Present

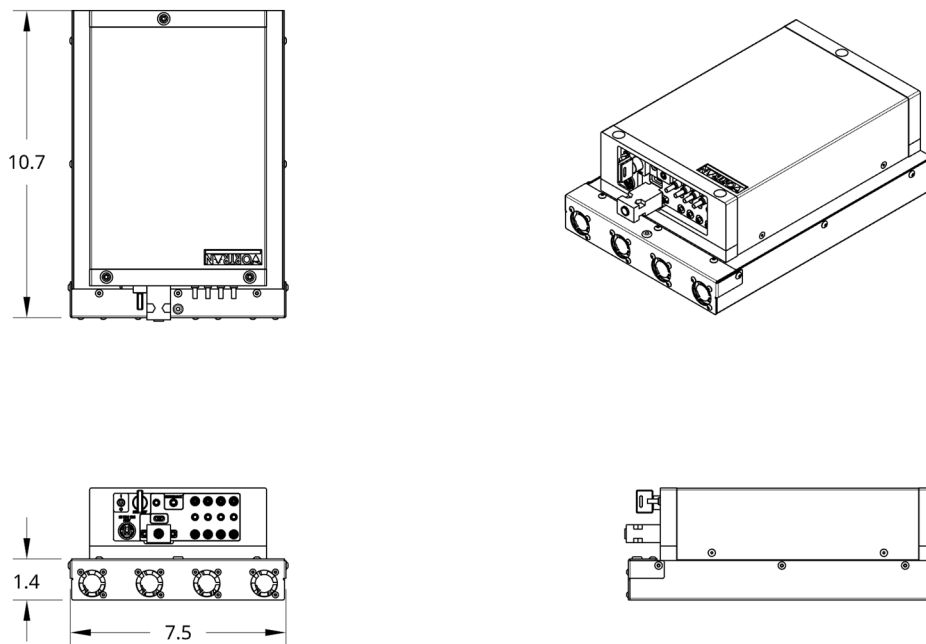
Stradus VersaLase Datasheet

Mechanical Drawing



Drawing in inches

Heatsink Drawing



Drawing in inches

Frankfurt Laser Company

Email: sales@frlaserco.com Website: www.frlaserco.com

Source Systems, Inc. 2023-Present