

1

2

3

4

5

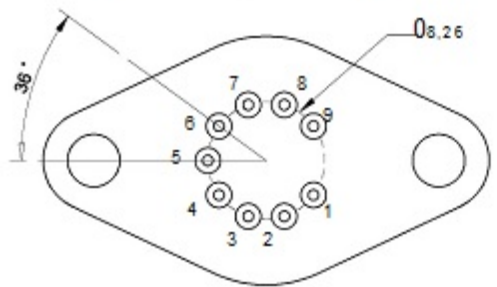
6

RevNo Revision note

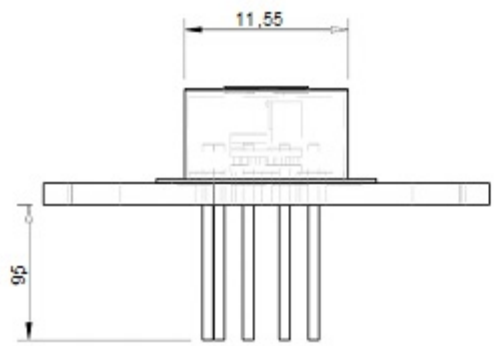
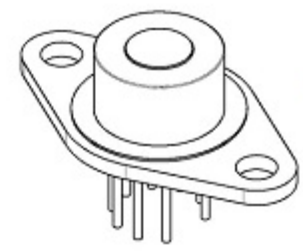
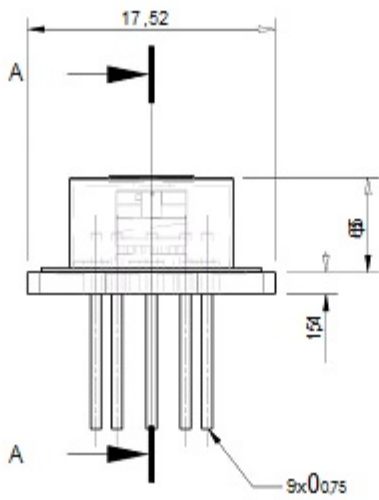
Date

Signature

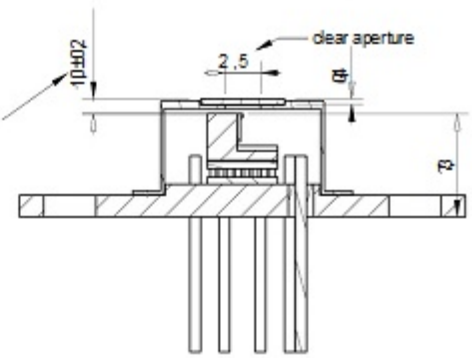
Checked

**Pin Assignment:**

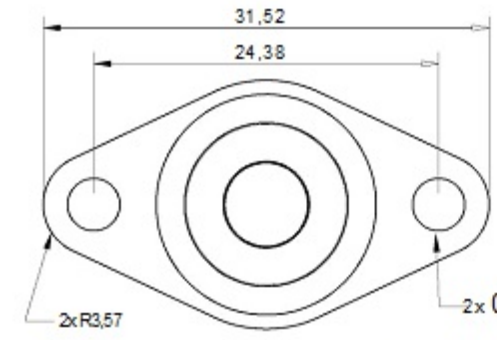
- 1: TEC (+)
- 2: NTC
- 3: NTC
- 4: n/c (optional: PD)
- 5: n/c (optional: PD)
- 7: n/c
- 8: LD (+)
- 9: LD (-)
- 10: T



emission point to window surface



section A-A



1

2

3

6