

FRLD-1535-500µJ-Q

Erbium Glass Laser

Applications

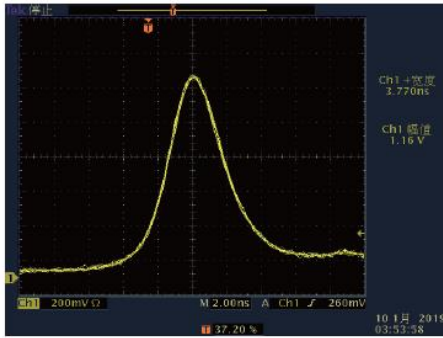
- Laser Range Finder
- Metrological Radar

Key Features

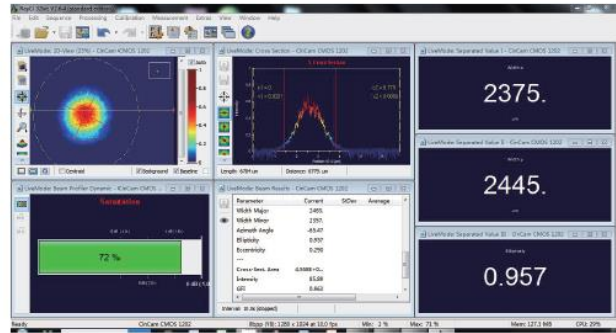
- Passively Q-Switched, Er:Glass
- Eye-safe
- Compact Design
- Wide Operating Temperature Range

Specifications

Wavelength (nm)	1535
Pulse Energy (µJ)	500
Pulse Width (FWHM) (ns)	≤6
Pulse Repetition Rate (Hz)	10
Beam Divergence (mrad)	8 (typical)
Transversal Mode	TEM ₀₀
Operating Temperature (°C)	-40~+65
Storage Temperature (°C)	-55~+80
Operating Current (A)	18
Dimensions (mm)	35 x 8 x 7 (LxBxH)
Weight (g)	14

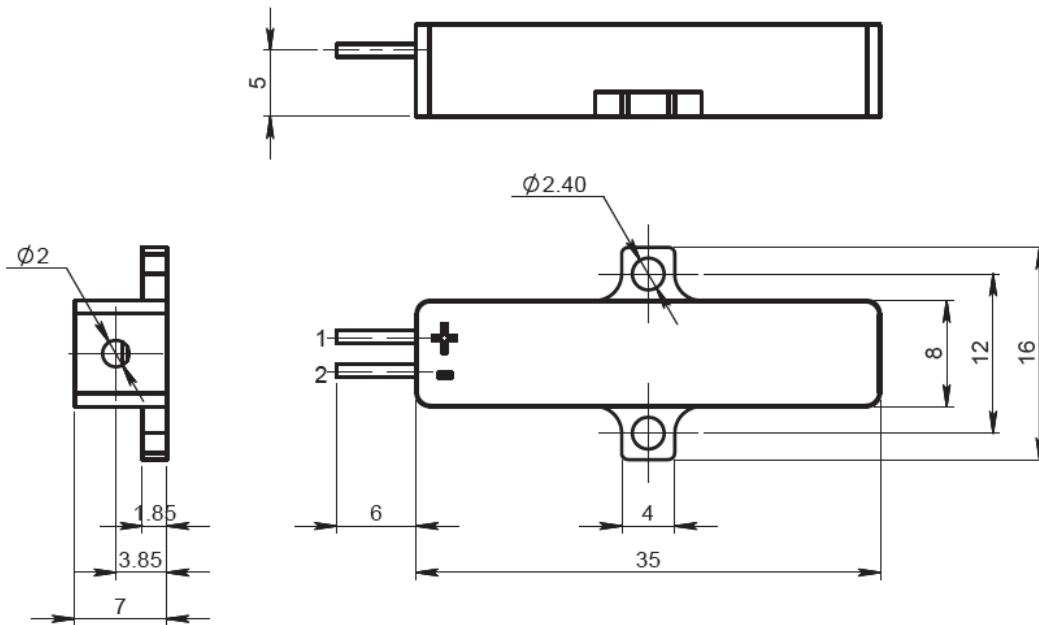


Typical Pulse



Beam Profile

Drawing



F3 Drawing

Pin Descriptions

Pin	Function
1	Laser (+)
2	Laser (-)