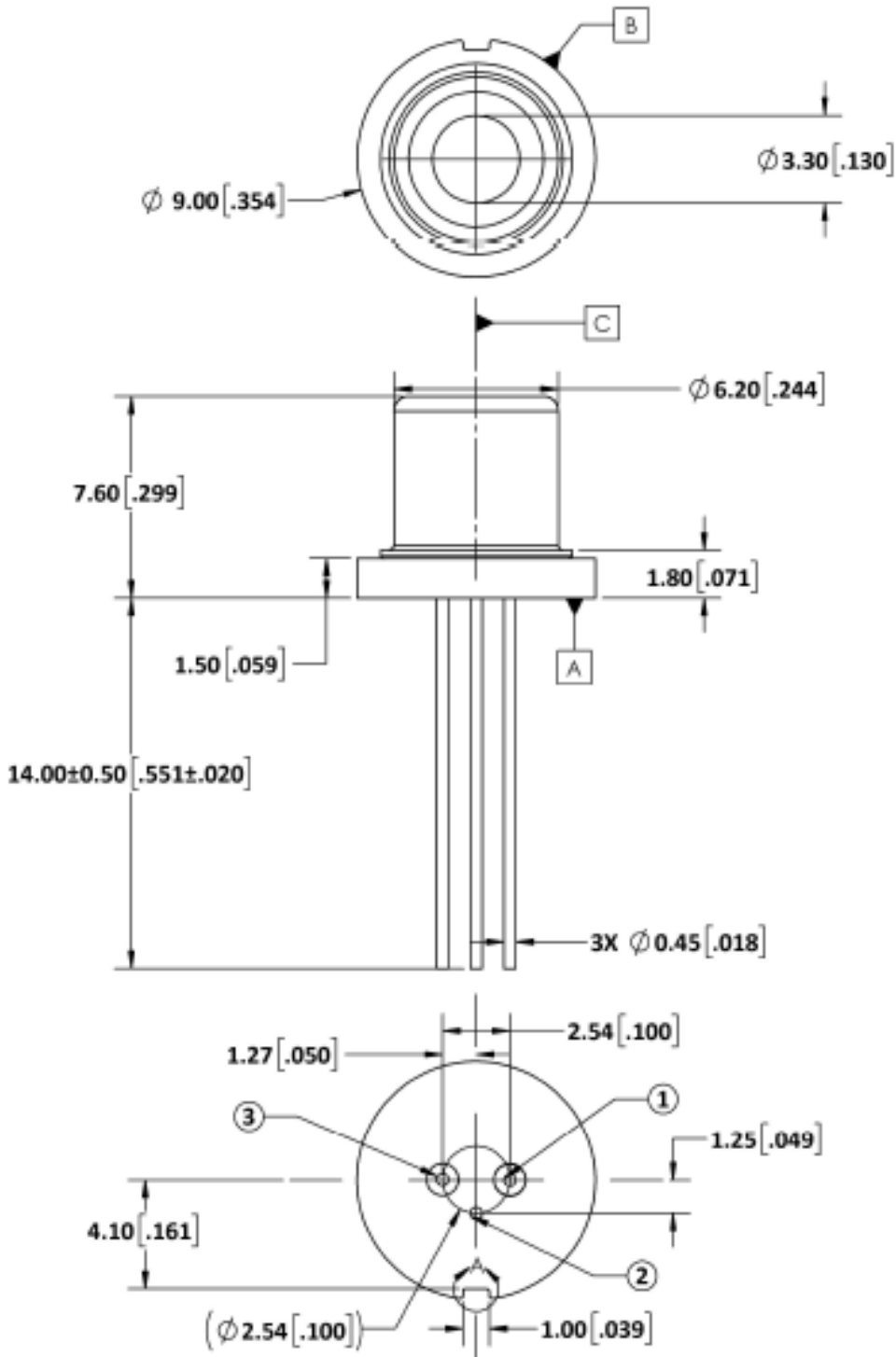


### FAXD-9mm Tall Package Drawing (For Reference Only)

(all dimensions in mm)



## Pin-out for Single Mode Laser Diodes

### N-Type with PD

- 1: LD Cathode (-)
- 2: Case / LD Anode (+) / PD Cathode (-)
- 3: PD Anode (+)