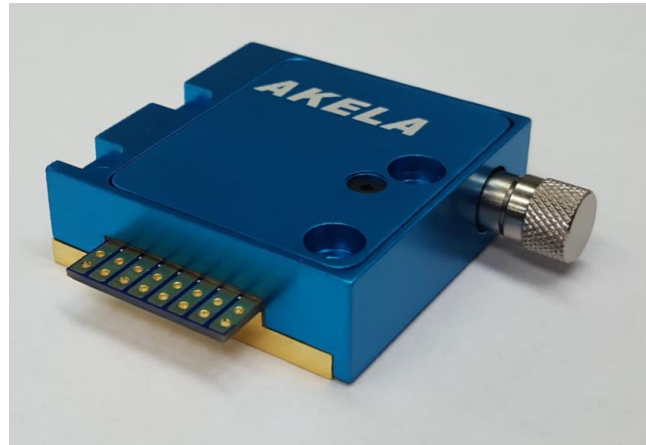


TRIO - Multi-Wavelength Fiber-Coupled Module

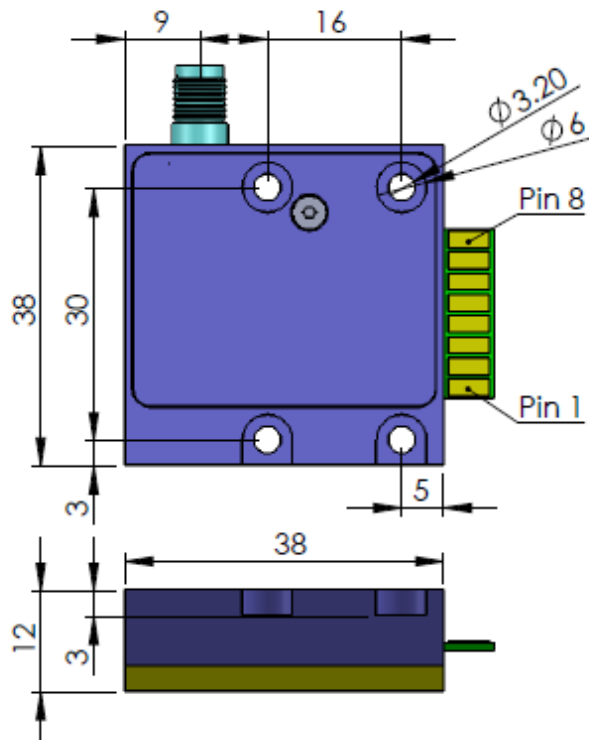
Features

- High-power multi-wavelength output from the same SMA connector
- Individually-addressable wavelength channels
- Detachable fiber, various core diameter options
- Conduction cooled compact (38x38x12 mm³) package, designed for use with external TEC
- Built-in thermistor
- Red or green pointing beam
- Power monitor photodiode



Benefits

AKELA's multiwavelength modules provide a new frontier for laser system designs – increasing functionality while decreasing assembly cost, opening new applications, and shortening time to market. Compact package encompasses up to three different-wavelength high-power channels. TRIO is ideal for RGB light show and projection display, medical devices and fluorescent microscopy. The intensity of each wavelength can be controlled independently and used in combination, thus balancing of fluorescence signals in 2- and 3-color imaging applications.



Examples of wavelength combinations

One wavelength

450nm /10W

808nm / 40W

980nm / 50W

1060 nm / 50 W

1470 nm / 20 W

1720 nm / 5 W

Two wavelengths

810 nm / 10 W + 940 nm / 16 W

1060 nm / 10 W + 1470 nm / 8 W

1470 nm / 4 W + 1720 nm / 4 W

Three wavelengths

405 nm / 0.2 W + 520 nm / 0.8 W + 638 nm / 1.0 W

810 nm / 8 W + 980 nm / 10 W + 1370 nm / 4.5 W

1060 nm / 10 W + 1210 nm / 8 W + 1470 nm / 4 W

Other wavelengths / wavelength combinations available upon request.
Please contact us.