



# FRLD-796-3600W-Stack

## High Power Laser Diode Stack

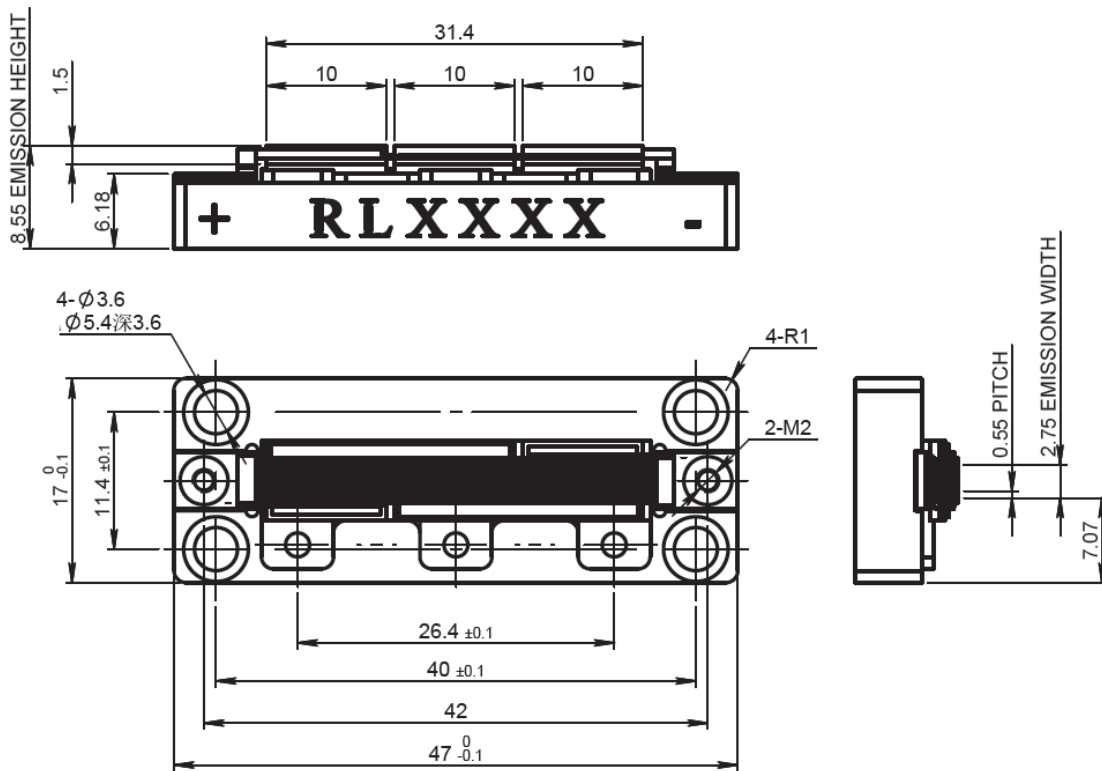
**Features:**                    Hard Solder Package  
                                       High Temperature Application  
                                       High Peak Power  
                                       High Reliability

**Applications:**            Pumping  
                                       Scientific Research

Specifications	Unit	Min	Typ	Max
<b>Optical Data</b>				
Center Wavelength $\lambda$	nm	793	796	799
CW Output Power / Bar	W	-	200	-
Number of Bars		-	18	-
Space between Bars	mm	-	~0.55	-
Spectral Width (FWHM)	nm	-	-	5
Fast Axis Divergence Angle		-	40°	-
Slow Axis Divergence Angle		-	10°	-
Temperature Drift of $\lambda$	nm/°C	-	~0.3	-
<b>Electrical Data (Bar)</b>				
Threshold Current	mA	-	-	30
Operation Current	mA	-	-	230
Slope Efficiency	W/A	1.1	-	-
Operation Voltage	V	-	-	2.1
Pulse Width	$\mu$ s	-	-	300
Repetition Rate	Hz	-	-	30
Duty Cycle	%			0.7

Temperature Conditions				
Operation Temperature	°C	0	-	60
Storage Temperature	°C	0	-	80

### Mechanical Drawings (in mm)



AA01