



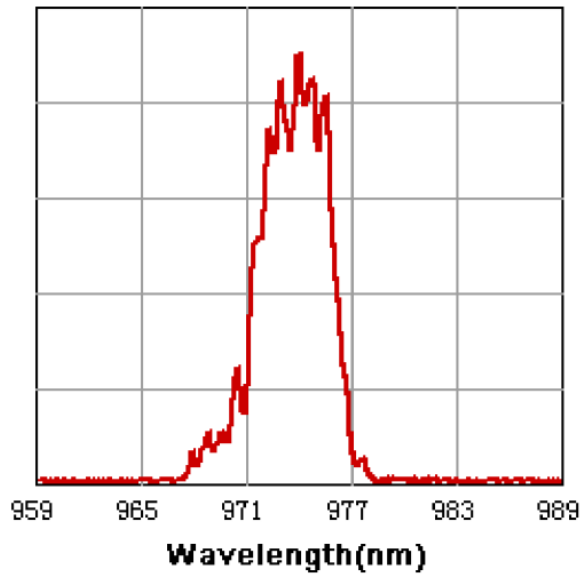
# FBLD-915-200W-FC200

## Fiber-coupled High Power Diode Laser

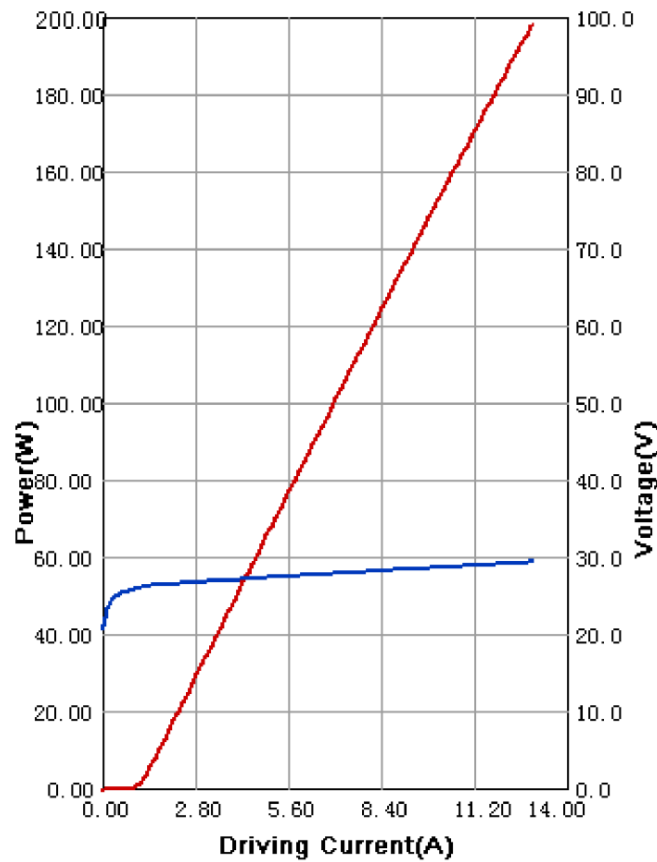
| <b>Optical data</b>                              |                       |
|--|-----------------------|
| Output power                                     | 200W CW               |
| Center wavelength $\lambda$                      | 915nm                 |
| Tolerance of $\lambda$                           | $\pm 10\text{nm}^*$   |
| Spectral Width                                   | 5nm                   |
| Temperature drift of $\lambda$                   | 0.3nm/°C              |
| Spectral Shift with Current                      | $\sim 1\text{nm/A}$   |
| <b>Electrical data</b>                           |                       |
| Threshold current                                | 0.8A                  |
| Operation current                                | 13A                   |
| Conversion efficiency $\eta$                     | 48%                   |
| Slope efficiency                                 | 16W/A                 |
| Operation voltage                                | 34V                   |
| <b>Temperature conditions</b>                    |                       |
| Operation Temperature<br>(Base of Laser Housing) | 20-30°C               |
| Storage temperature                              | -20 ~ +70°C           |
| <b>Feedback Isolation</b>                        |                       |
| Wavelength Range                                 | 1030 – 1200 nm        |
| Isolation  | >30dB                 |
| <b>Optical Fiber</b>                             |                       |
| Fiber diameter                                   | 200 $\mu\text{m}^*$   |
| N.A.   | 0.22*                 |
| Connector  | Bare fiber or SMA-905 |
| Fiber length                                     | 0.7m*                 |
| <b>Other parameters</b>                          |                       |
| Lead Soldering Temperature                       | 260°C (10sec)         |

\* Other specifications available on request

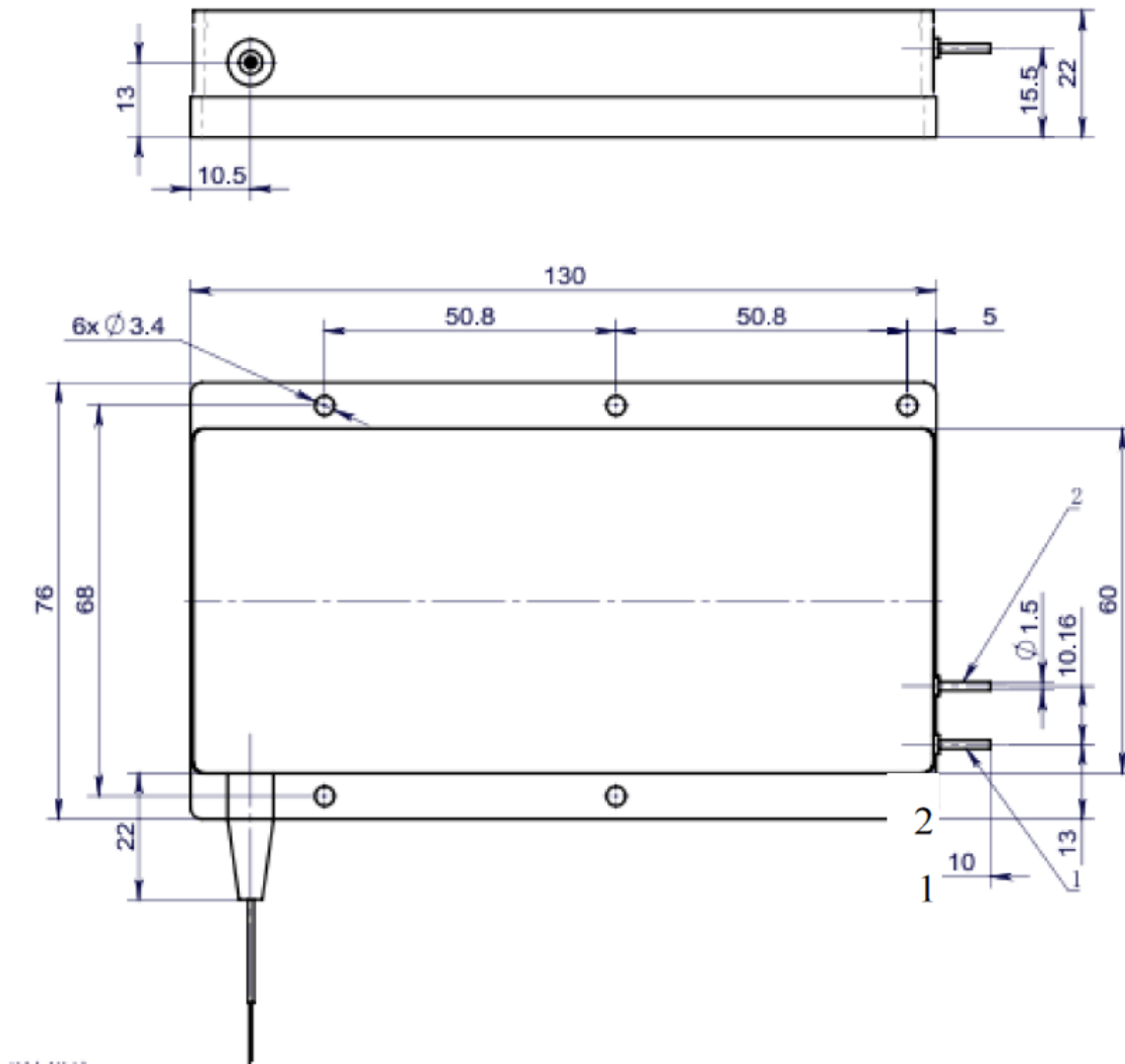
### Typ. Spectrum (T=25°C)



### Voltage / Power vs. Current (T=25°C)



## Package Dimensions (mm)



| Pin | Function |
|-----|----------|
| 1   | LD (+)   |
| 2   | LD (-)   |