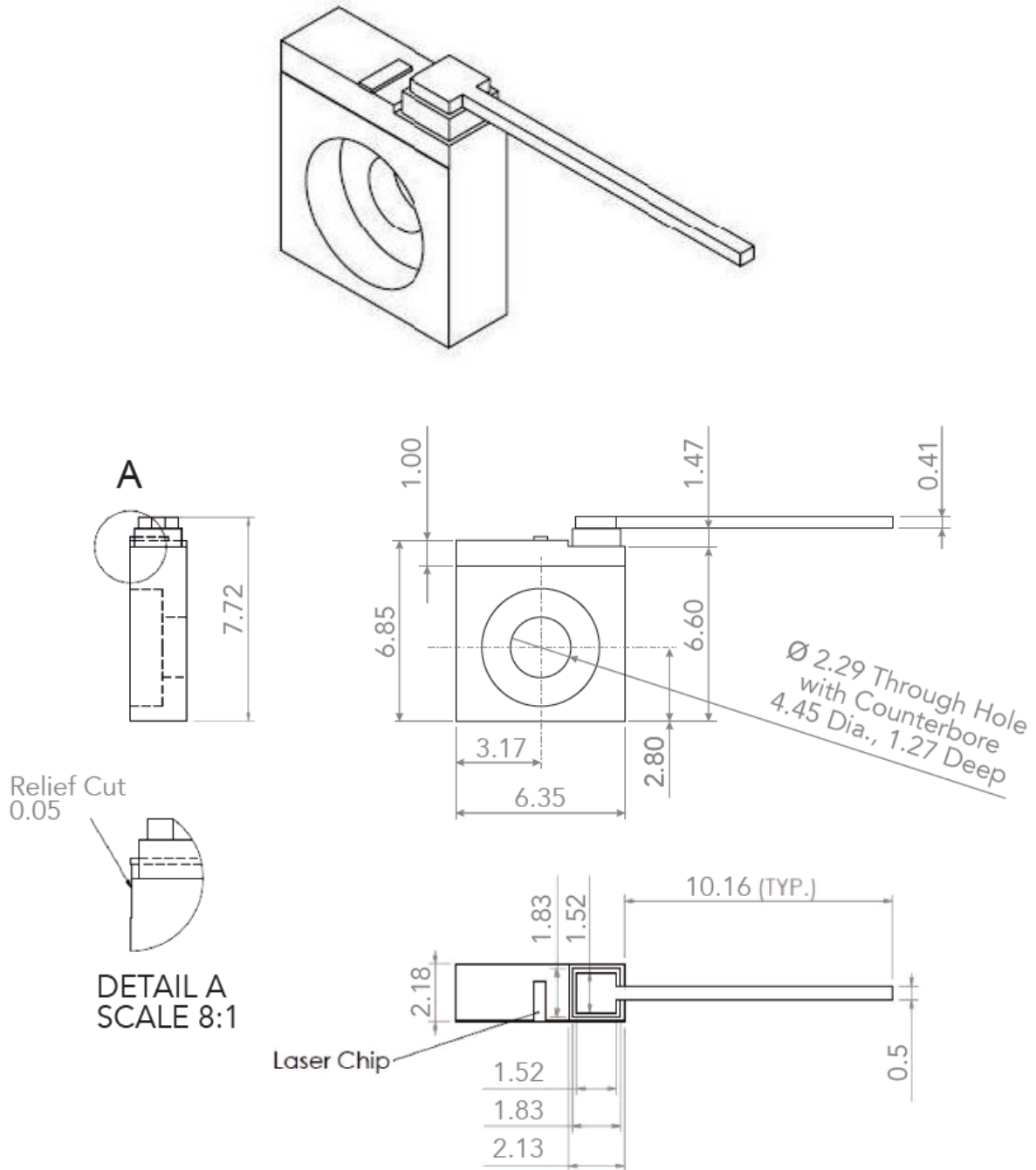


FLX-C-mount (standard) Package Drawing

(all dimensions in mm)



Note:

1. Material: OFHC Copper