



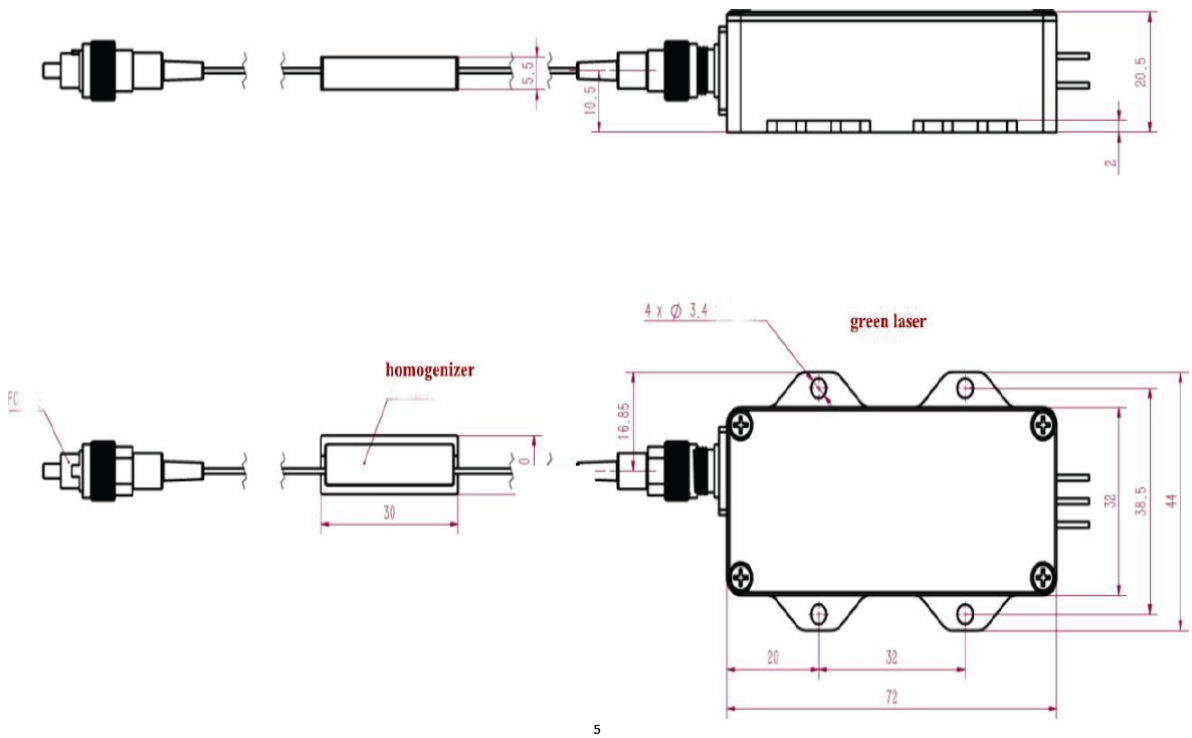
FERT-525-4W-FC105

Fiber-coupled Green Laser Diode

Parameters

OPTICAL	
Output Power	4W
Wavelength	525±5nm
Spectral Width(FWHM)	2nm
Wavelength Shift with Temp.	0.06nm/°C
Fiber	
Core Dia.	105µm
N.A.	0.22
Connector	FC or SMA905
ELECTRICAL	
Threshold Current	0.3A
Operating Current	< 2.0A
Operating Voltage	DC 12V, 2 channels
ENVIRONMENTAL	
Operating temperature range	-40°C to + 55°C
Storage temperature range	-55°C to + 70°C
Relative Humidity	20~80%
Lead Soldering Temp.	260°C
Lead Soldering Time	10s
PHYSICAL	
Weight	< 280g
Dimensions (L/W/H)	72.0mm x 44.0mm x21.0mm

Dimensions (mm)



5