

FNCL-RGB-700



FNCL-RGB-700 combines a red, green and blue laser diode to produce an output of over 700 white balanced lumens into an extremely small 400 micron core fiber. Combined with a controller, this laser can be easily integrated into an OEM system.

FEATURES:

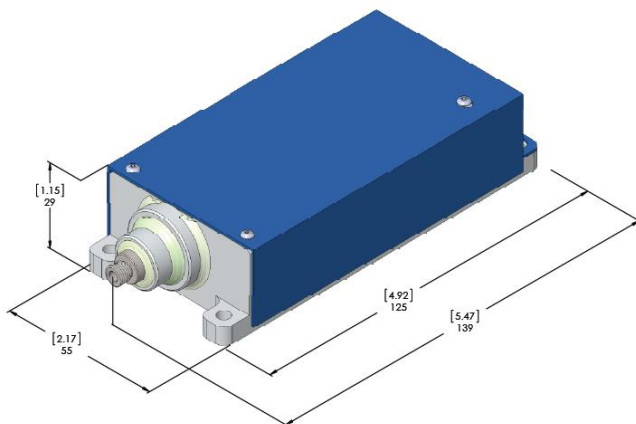
- 700 Lumens
- Long Lifetime
- Couples Into Small Fibers
- Independently Modulated
- Colors
- High Speed Modulation
- Compact Size
- Temperature Feedback

APPLICATIONS:

- Remote Source Lighting
- OEM Systems
- Bioinstrumentation
- Forensics
- Inspection
- Visualization
- Boroscopes
- Laser Light Shows

SPECIFICATIONS SUMMARY

| Parameter | Min | Limits Typ | Max |
|-----------------------|------------------------------|------------|---------|
| Operating Power (RGB) | 2700 mW (White Balanced) | | |
| Temperature | 25°C | | |
| Fiber- Coupling | SMA-905, 400 μm core, .22 NA | | |
| RED | | | |
| Center Wavelength | 638 nm | | |
| Operating Power | 0 mW | - | 2000 mW |
| Current | 0 | - | 1600 mA |
| Voltage | - | 12.5 V | 15.0 V |
| GREEN | | | |
| Center Wavelength | 525 nm | | |
| Operating Power | 0 mW | - | 800 mW |
| Current | 0 | - | 1600 mA |
| Voltage | - | 4.7 V | 5.2 V |
| BLUE | | | |
| Center Wavelength | 465 nm | | |
| Operating Power | 0 mW | - | 1800 mW |
| Current | 0 | - | 2000 mA |
| Voltage | - | 4.7 V | 5.2 V |



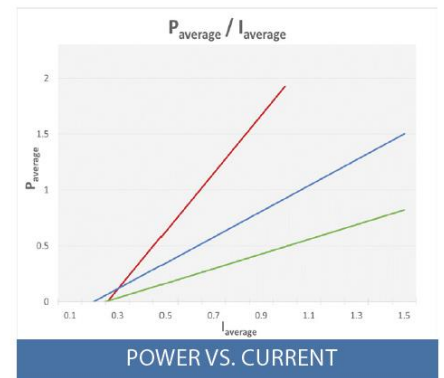
OPTIONAL ACCESSORIES



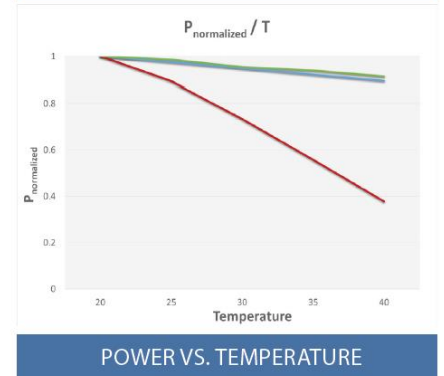
TRANSPORT FIBER



INTELLIGENT CONTROLLER



POWER VS. CURRENT



POWER VS. TEMPERATURE