



FRLD-1535-1000µJ-Q-BE30

Erbium Glass Laser with Beam Expander

Applications

- Laser Ranging
- Laser Remote Sensing
- Lidar

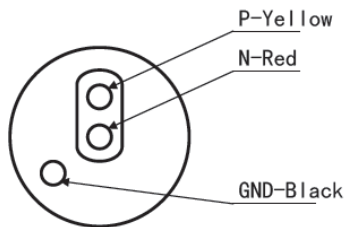
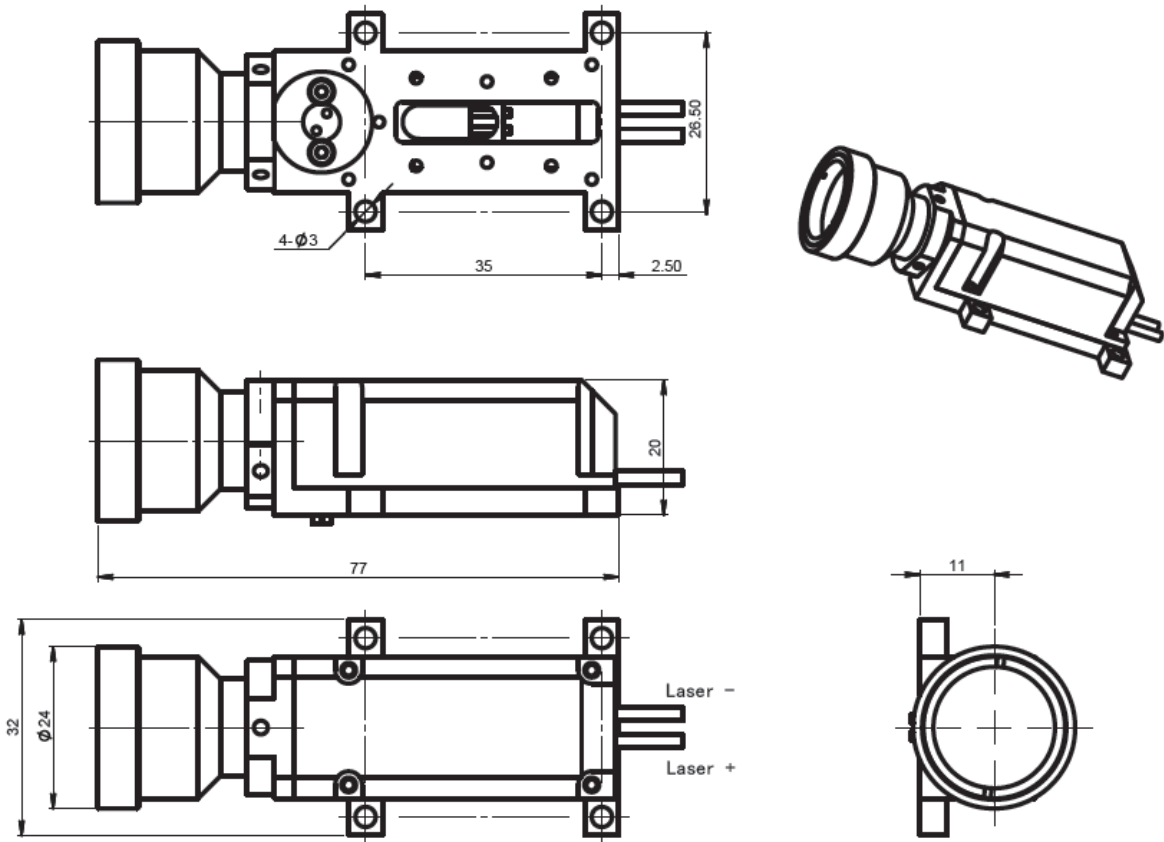
Key Features

- 1535nm, Eye-safe
- High Peak Power
- Divergence Angle <0.3mrad
- Integrated PD
- Compact Structure
- High Stability

Specifications

Wavelength (nm)	1535
Pulse Energy (µJ)	1000
Pulse Width (FWHM) (ns)	7
Pulse Repetition Rate (Hz)	5
Operation Current (A)	30
Operation Voltage (V)	1.8
Beam Diameter (mm)	16
Beam Divergence (mrad)	0.25 (FWHM, typical)
Magnification	30x
Vibration / Shock	5Hz, 2.5G / 1ms, 100G (axial)
Operating Temperature (°C)	-40~+65
Storage Temperature (°C)	-55~+80 (rel. humidity ≤85%)
Lifetime (hours)	≥5000

Drawing (Dimensions in mm)



PD Pin Descriptions
(At the Rear Side of the Laser Module)