

FLTT-940-15W-3000m-CAP IR LASER ILLUMINATOR 940nm 15W 3000m



The IR laser illuminator FLTT-940-15W-3000m-CAP is designed with self-developed light intensity homogenization technology and VCSEL chip. To ensure its reliability, a unique photoelectric isolation design is adopted. For easier integration, standard interface parameters are adopted. The communication protocol adopts Pelco protocol. The VCSEL illuminator also uses a photosensitive automatic switch and a manual switch. Simultaneously, when the illuminator is turned on, a linkage switch signal will be sent out, which can make the camera automatically switch to night mode. To integrate

into the system, the illuminator is small and has a self-patented heat dissipation design for advantages in size and reliability. Meanwhile, with good co-axiality at any time, the illuminator and the camera are guaranteed to be synchronized during the entire zoom process. For both short distance and long distance, the system can adjust the illuminator and the camera lens to be co-axial. To facilitate the observation of different target ranges at different distances, the user can use control signals to automatically adjust the observation range. It is suitable for security monitoring systems and is an ideal infrared lighting source.

Features

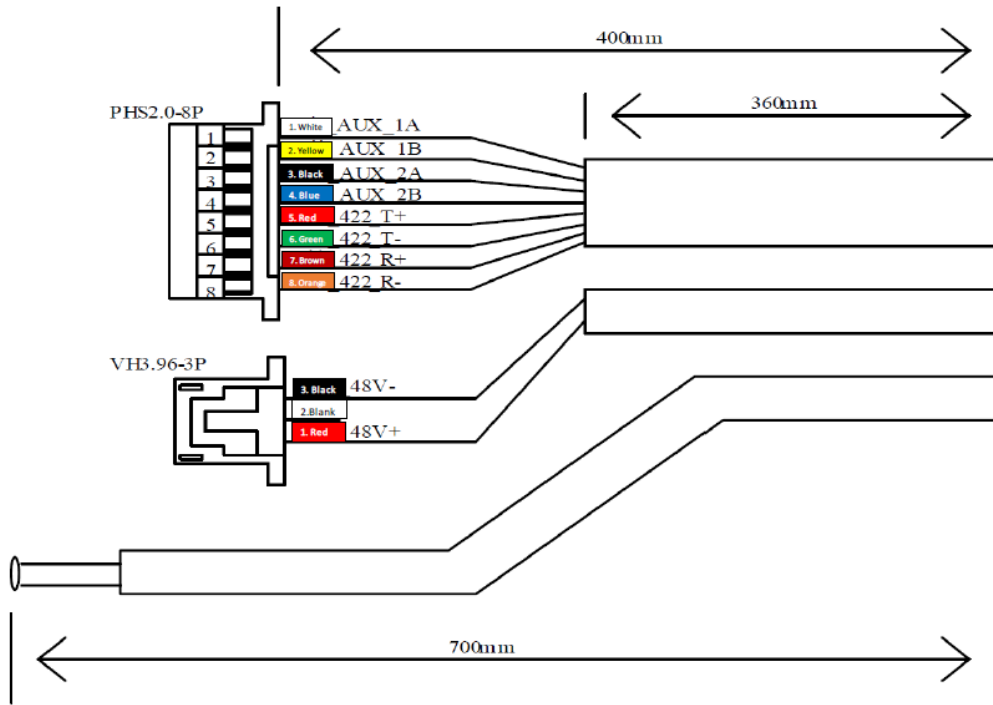
- Automatic Zoom, Stepless Optical Zoom, Standard Interface
- Illumination Range up to 3000m
- High Reliability, Lifetime > 20000 hours
- Small Size, Easy to Integrate
- RS232, RS422, RS485, TTL can be selected
- Good co-axiality with the Lens for Better Synchronization with the Camera
- Uniform Light Spot, No Noise
- Power Down State Memory
- Self-developed Photosensitive Control Switch or Manual Switch
- Protocol is Compatible for Pelco
- Pre-set Position Setting
- Low Heat Production, High Efficiency
- Environment Friendly

Applications

- Port Terminal Monitoring
- Border and Coastal Defense Monitoring
- Forest Fire Monitoring
- Commanding Height Monitoring
- Highway Monitoring

INTERFACES

RS422 Wiring diagram: (TTL, RS232, RS485 please select according to the table below the diagram)



Terminal Sequence Table (Length: laser exit to terminal)

Terminal	Function	Code and Wire Color	Length (mm)	
PHS2.0-8P	Linkage output	1 White AUX_1A 2 Yellow AUX_1B	400	
	Manual Switch	3 Black AUX_2A (GND) 4 Blue AUX_2B		
	Four select one	TTL		5 Red TX 6 Green RX 7 Brown GND
		RS232		5 Red TX 6 Green RX 7 Brown GND
		RS485		5 Red A 6 Green B
RS422		5 Red A 6 Green B 7 Brown Y Z Orange Z		