



## FRLD-1535-40µJ-Q

### Erbium Glass Laser

#### Applications

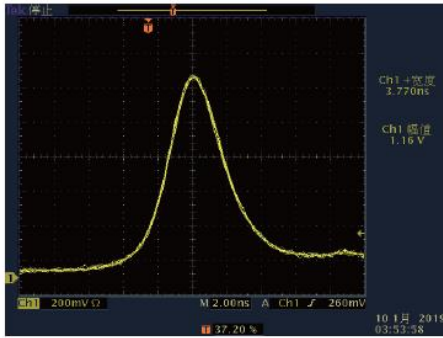
- Obstacle Avoidance Radar
- Laser Range Finder
- Metrological Radar

#### Key Features

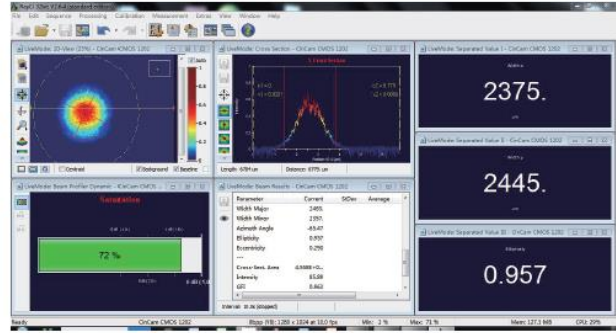
- Passively Q-Switched, Er:Glass
- Eye-safe
- Compact Design
- Wide Operating Temperature Range

#### Specifications

Wavelength (nm)	1535
Pulse Energy (µJ)	40
Pulse Width (FWHM) (ns)	≤5
Pulse Repetition Rate (kHz)	1
Operation Current (A)	5
Operation Voltage (V)	2
Beam Diameter (mm)	0.3
Beam Divergence (mrad)	≤16 (FWHM)
Beam Pointing	<0.2°
Transversal Mode	TEM <sub>00</sub>
Operating Temperature (°C)	-40~+65
Storage Temperature (°C)	-55~+80
Dimensions (mm)	21 x 8 x 7 (LxBxH)
Weight (g)	≤10

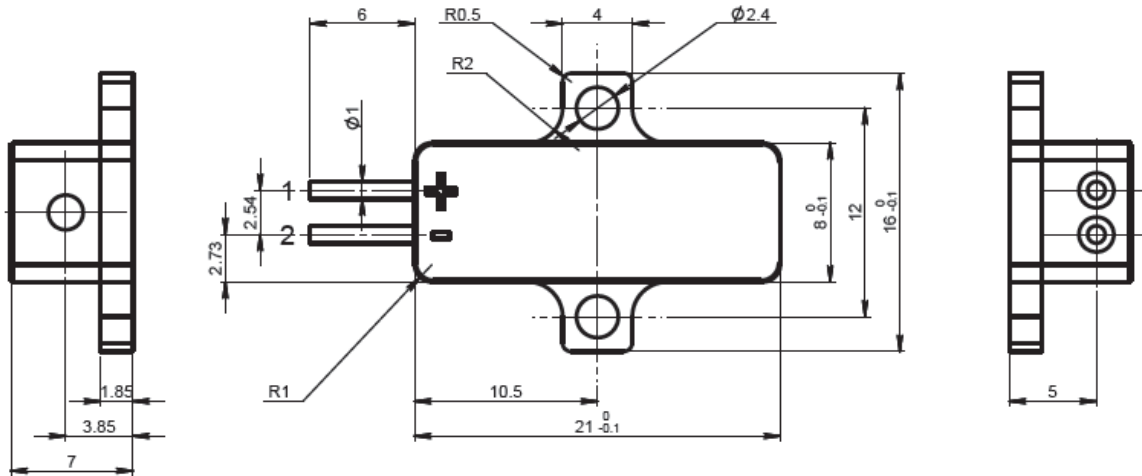


Typical Pulse



Beam Profile

## Drawing



Pin	Function
1	Laser (+)
2	Laser (-)