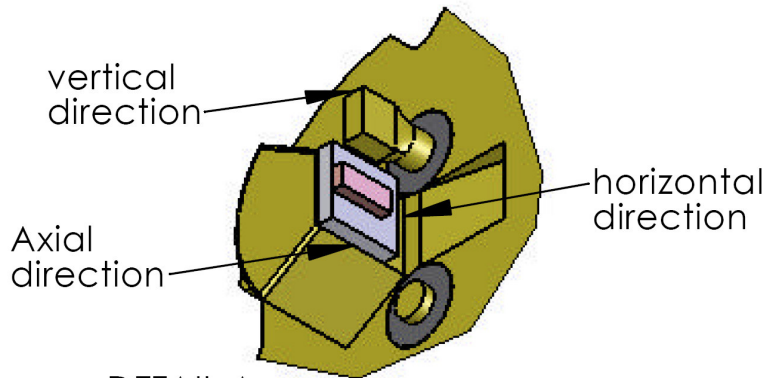
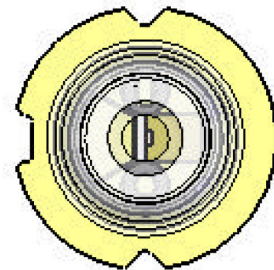
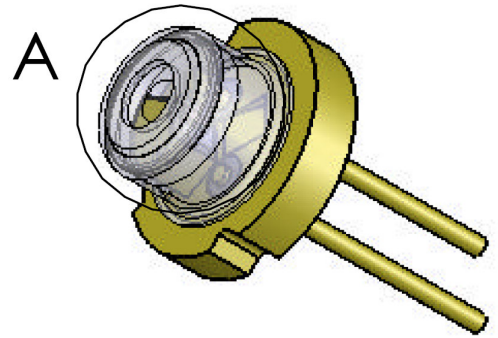
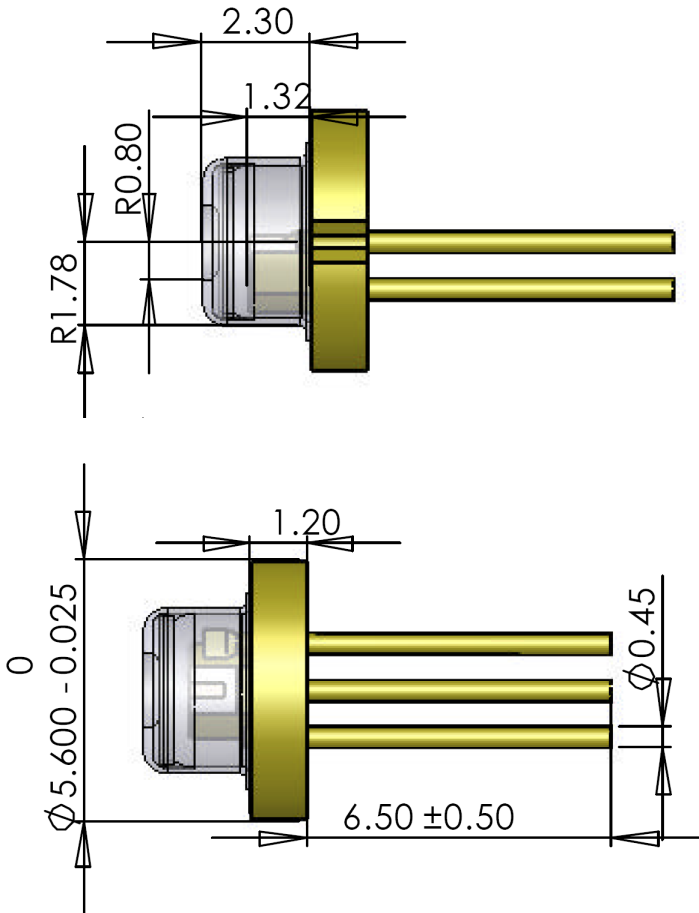


FAXD-5.6mm Package Drawing

(all dimensions in mm)



DETAIL A
SCALE 12 : 1

for clarity reason
cap was hidden

Pin Out Single Mode Laser Diodes

- 1: LD Anode (+)**
- 2: LD Cathode (-)/PD Anode (optional)**
- 3: PD Cathode (optional)**

Pin Out Multimode Laser Diodes

- 1: LD Cathode (-)**
- 2: LD Anode (+)/PD Cathode (optional)**
- 3: PD Anode (optional)**