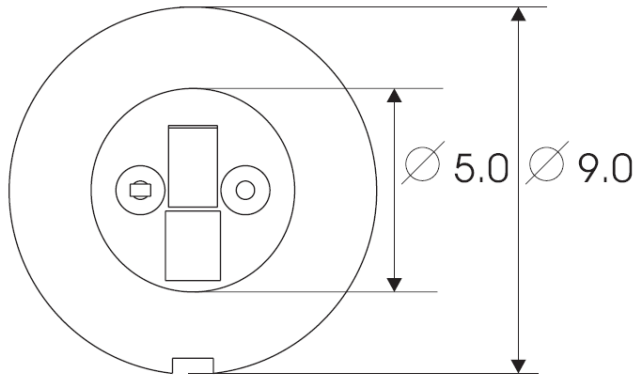


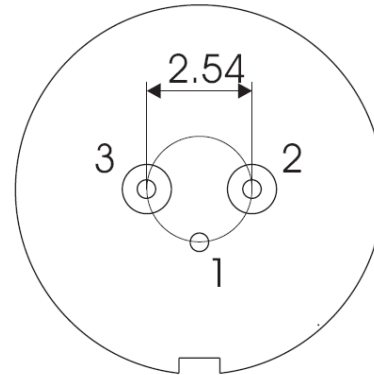
FNPL-9mm Package Drawing

(all dimensions in mm)

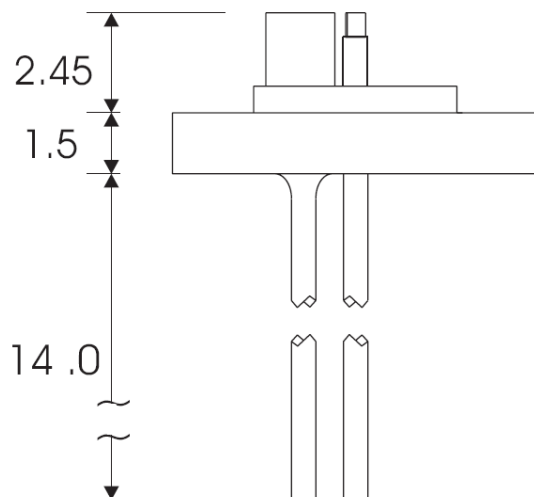
Front View



Back View



Side View



Contacts

- 1: LD Cathode (-)/ Case
- 2: LD Anode (+)
- 3: NC