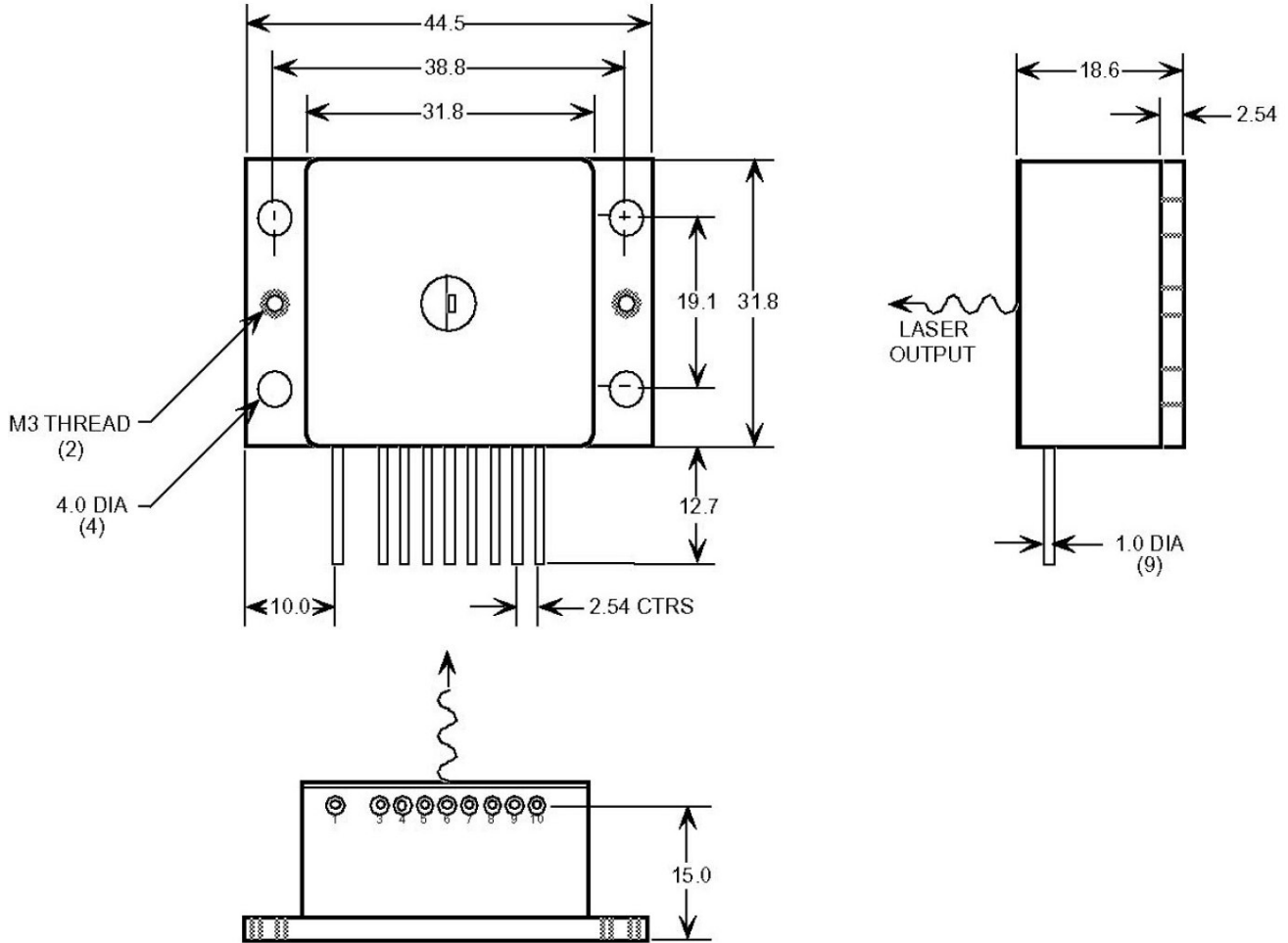


FLX-HHL Package Drawing

(all dimensions in mm)



Pin Out	
1 TEC (-)	6 Thermistor
2 NC	7 Laser Cathode (-)
3 Case	8 Photodiode Anode (+)
4 Laser Anode (+)	9 Photodiode Cathode (-)
5 Thermistor	10 TEC (+)

Thermoelectric cooler rated 3.6 A, 9V maximum.

Thermistor constants: A= 1.129E-3, B= 2.341 E-4, C= 0.878 E-7

Thermistor resistance:

10.0 KΩ @ 25°C	12.5 KΩ @ 20°C
15.7 KΩ @ 15°C	19.9 KΩ @ 10°C
25.4 KΩ @ 5°C	32.7 KΩ @ 0°C
42.3 KΩ @ -5°C	55.3 KΩ @ -10°C