



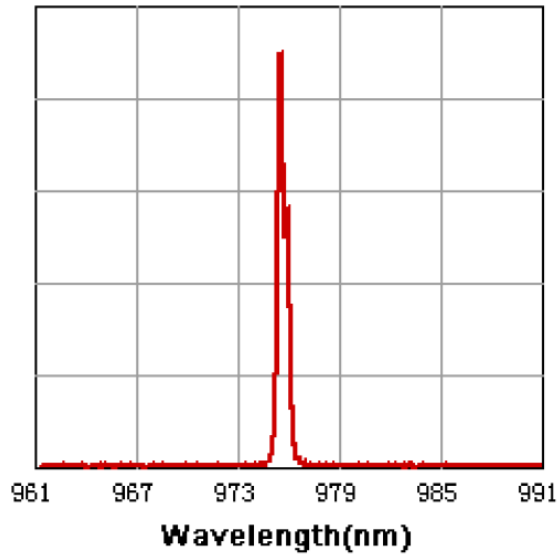
FBLD-976-180W-FC200-VBG

Fiber-coupled High Power Diode Laser with VBG

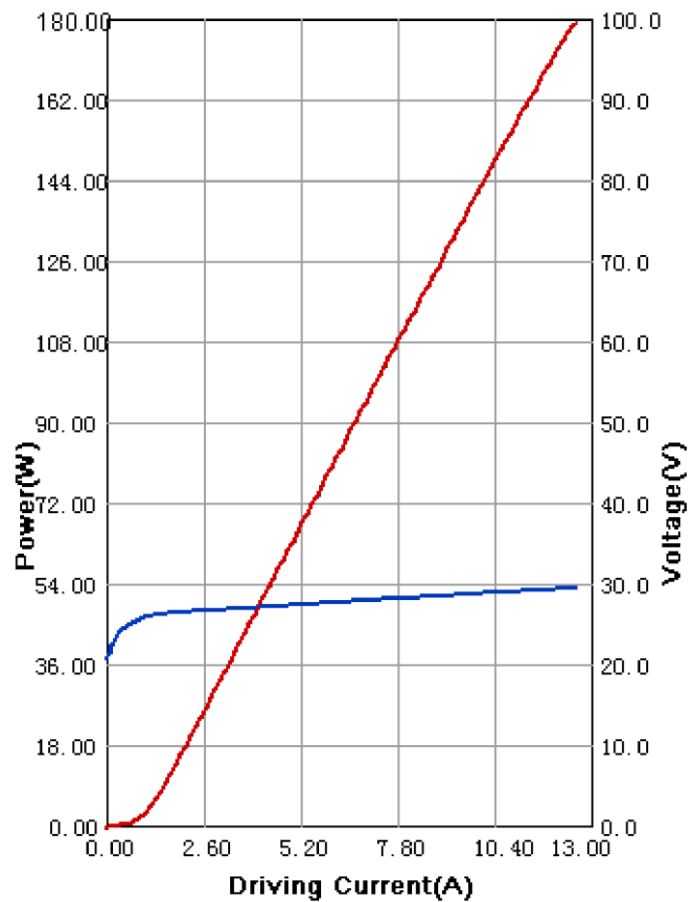
Optical data	
Output power	180W CW
Center wavelength λ	976nm
Tolerance of λ	$\pm 0.5\text{nm}$
Spectral Width	$<1\text{nm}$
Temperature drift of λ	$\sim 0.02\text{nm}/^\circ\text{C}$
Spectral Shift with Current	$\sim 0.05\text{nm}/\text{A}$
Electrical data	
Threshold current	0.8A
Operation current	13A
Slope efficiency	14.7W/A
Operation voltage	34V
Temperature conditions	
Operation Temperature (Base of Laser Housing)	18-25°C
Storage temperature	-20 ~ +70°C
Feedback Isolation	
Wavelength Range	1030 – 1200 nm
Isolation	$>30\text{dB}$
Optical Fiber	
Fiber diameter	200 μm^*
N.A.	0.22*
Connector	Bare fiber or SMA-905
Fiber length	0.7m*
Other parameters	
Lead Soldering Temperature	260°C (10sec)

* Other specifications available on request

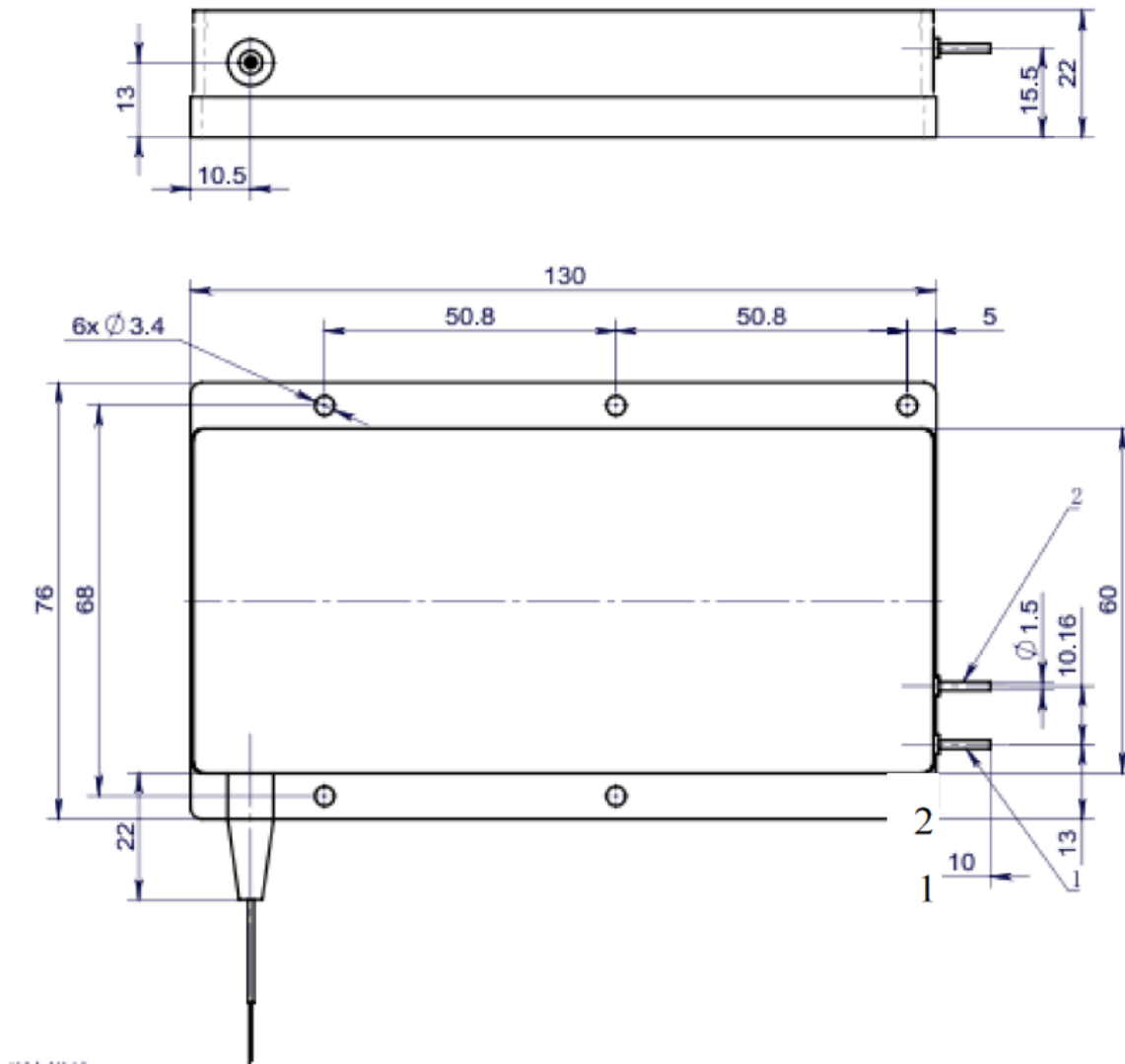
Typ. Spectrum (T=25°C)



Voltage / Power vs. Current (T=25°C)



Package Dimensions (mm)



Pin	Function
1	LD (+)
2	LD (-)