

FNCL-RGB-250



FNCL-RGB-250 combines a red, green and blue laser diode to produce an output of over 250 white balanced lumens into an extremely small 400 micron core fiber. Combined with a controller, this laser can be easily integrated into an OEM system.

FEATURES:

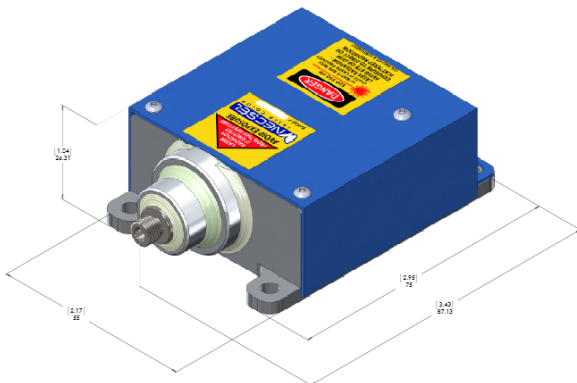
- 250 Lumens
- Long Lifetime
- Couples Into Small Fibers
- Independently Modulated
- Colors
- High Speed Modulation
- Compact Size
- Temperature Feedback

APPLICATIONS:

- Remote Source Lighting
- OEM Systems
- Bioinstrumentation
- Forensics
- Inspection
- Visualization
- Boroscopes
- Laser Light Shows

SPECIFICATIONS SUMMARY

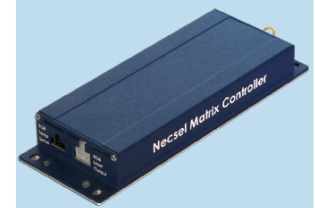
Parameter	Min	Limits Typ	Max
Operating Power (RGB)	1150 mW (White Balanced)		
Temperature	25°C		
Fiber- Coupling	SMA-905, 400 μm core, .22 NA		
RED			
Center Wavelength	638 nm		
Operating Power	0 mW	-	600 mW
Current	0	-	1600 mA
Voltage	-	2.5 V	3.0 V
GREEN			
Center Wavelength	525 nm		
Operating Power	0 mW	-	800 mW
Current	0	-	1600 mA
Voltage	-	4.7 V	5.2 V
BLUE			
Center Wavelength	465 nm		
Operating Power	0 mW	-	1800 mW
Current	0	-	2000 mA
Voltage	-	4.7 V	5.2 V



OPTIONAL ACCESSORIES



TRANSPORT FIBER



INTELLIGENT CONTROLLER

