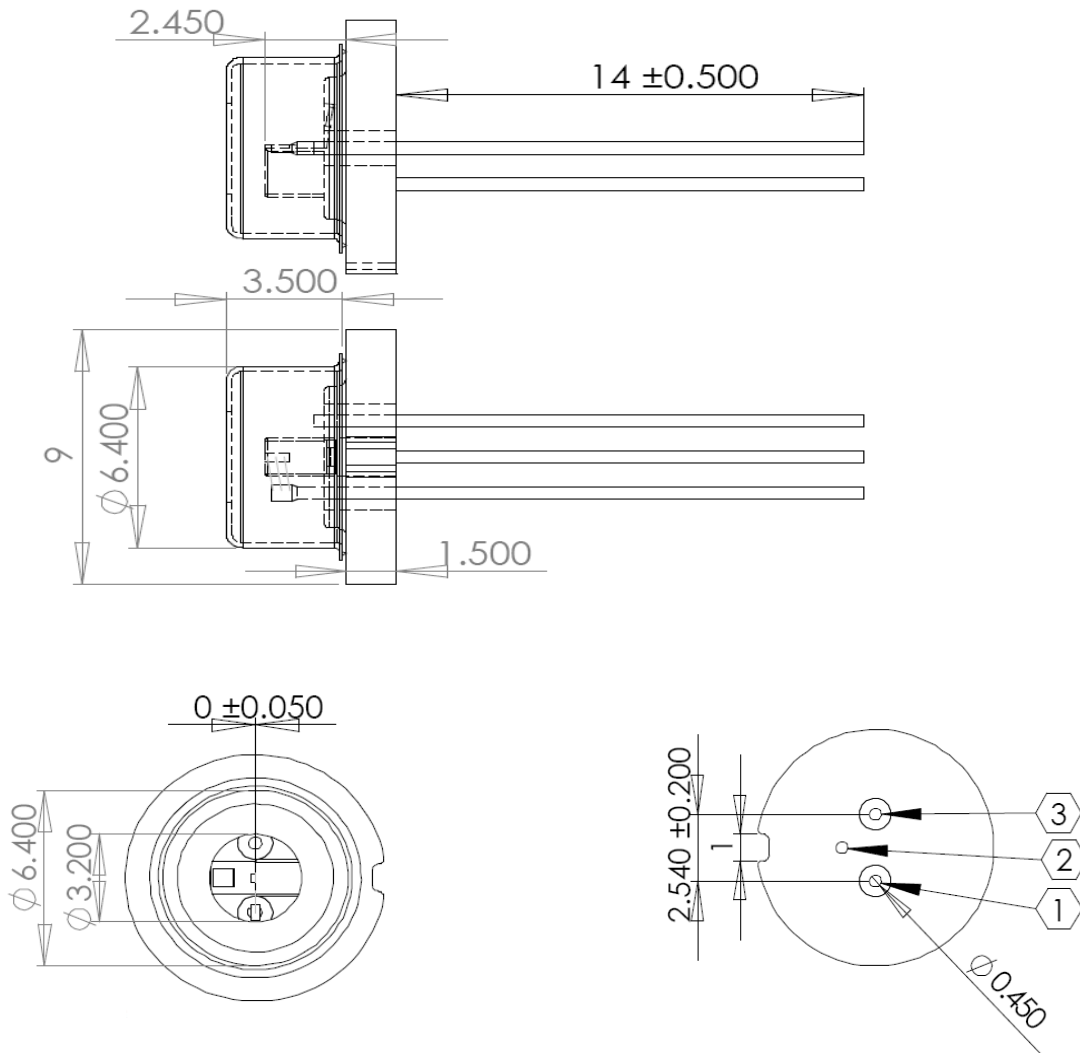


FAXD-9mm Package Drawing

(all dimensions in mm)



Pin-out Options for Multimode Laser Diodes

N-Type

- 1: LD Cathode (-)**
- 2: Case / LD Anode (+)**
- 3: Not Connected**

N-Type with PD

- 1: LD Cathode (-)**
- 2: Case / LD Anode (+) / PD Cathode (-)**
- 3: PD Anode (+)**

Pin-out Options for Single Mode Laser Diodes

N-Type

- 1: LD Cathode (-)**
- 2: Case / LD Anode (+)**
- 3: Not Connected**

N-Type with PD

- 1: LD Cathode (-)**
- 2: Case / LD Anode (+) / PD Cathode (-)**
- 3: PD Anode (+)**

P-Type

- 1: LD Anode (+)**
- 2: Case / LD Cathode (-)**
- 3: Not Connected**

P-Type with PD-A

- 1: LD Anode (+)**
- 2: Case / LD Cathode (-) / PD Cathode (-)**
- 3: PD Anode (+)**

P-Type with PD-B

- 1: LD Anode (+)**
- 2: Case / LD Cathode (-) / PD Anode (+)**
- 3: PD Cathode (-)**