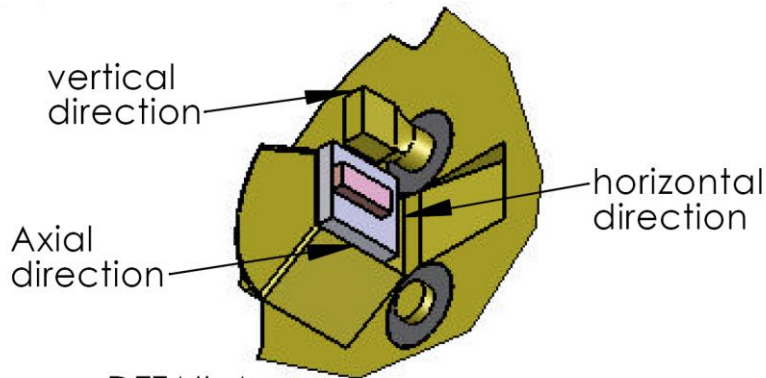
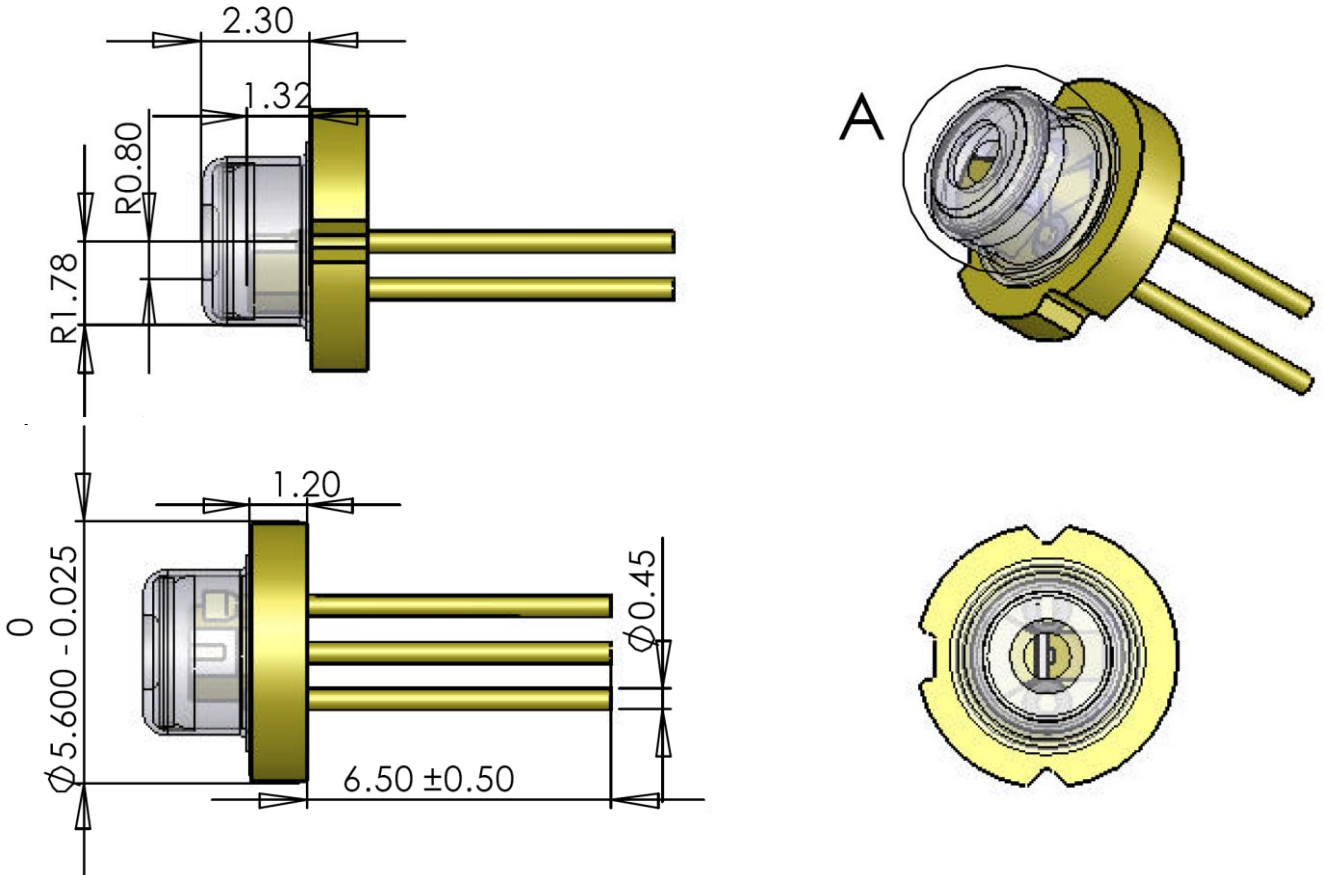


FAXD-5.6mm Package Drawing for Multimode Laser diodes

(all dimensions in mm)



DETAIL A
SCALE 12 : 1 for clarity reason
cap was hiden

Pin Out

- 1: LD Cathode (-)
- 2: LD Anode (+)/PD Cathode (optional)
- 3: PD Anode (optional)