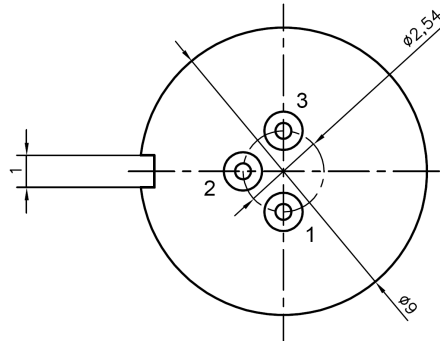


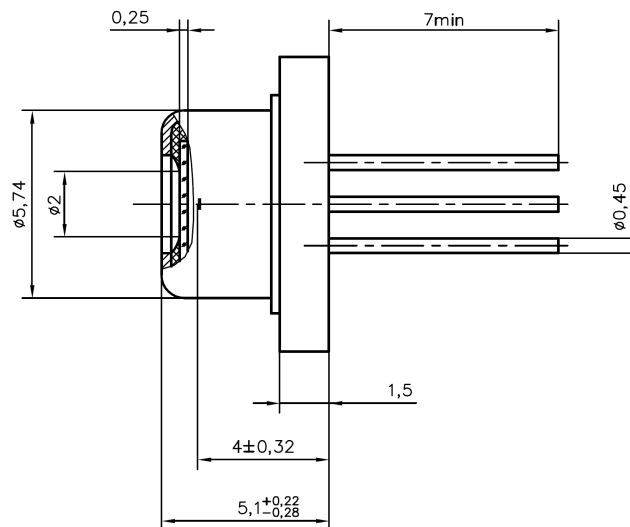
## Package FSLD-SOT148

**Drawing**  
(all dimensions in mm)

### Back-View



### Side-View



### Electrical contacts

- 1: SLD Cathode (-)**
- 2: common, case (+)**
- 3: PD anode (-)**