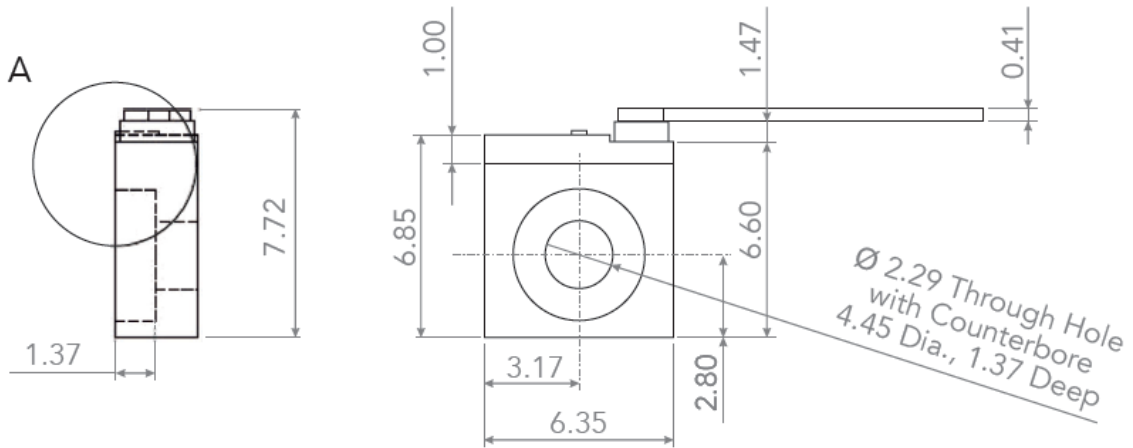
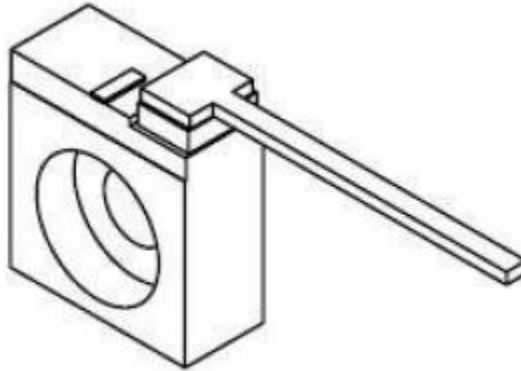
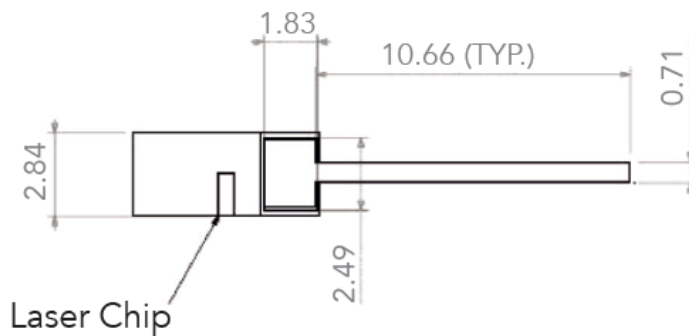


FLX-C-mount (medium) Package Drawing

(all dimensions in mm)



DETAIL A
SCALE 8:1



Note:

1. Material: OFHC Copper