

1

2

3

4

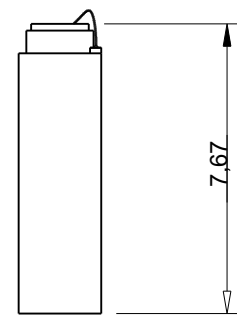
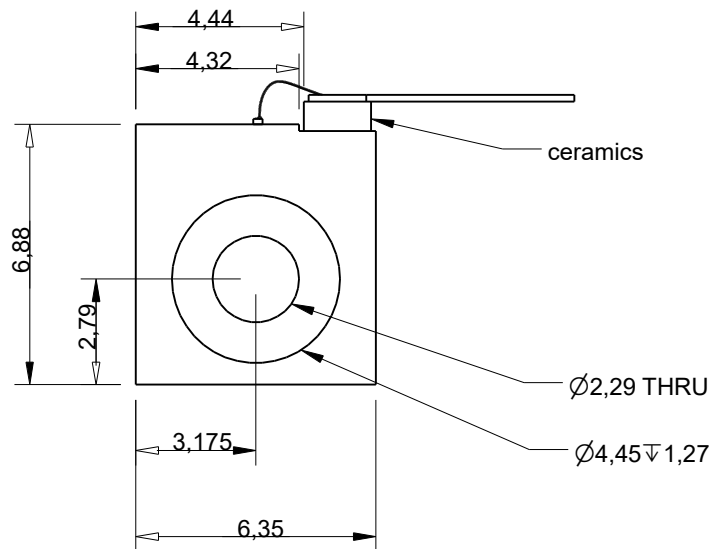
5

6

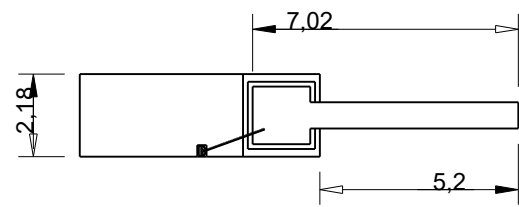
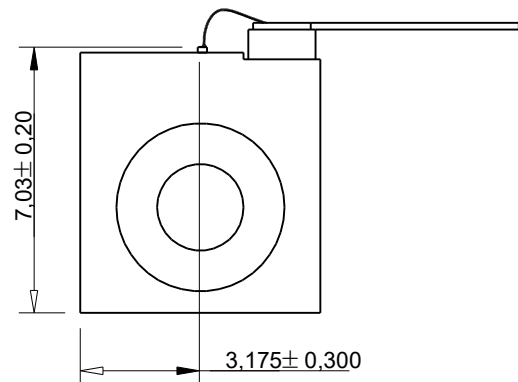
RevNo	Revision note	Date	Signature	Checked
-------	---------------	------	-----------	---------

A

Contact scheme:
 lead: LD (+)
 body: LD (-)



emission point



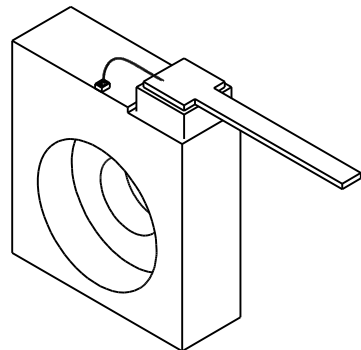
tolerances unless otherwise given: ± 0,15

body: Cu(15)W(85)
 surface plating: 2,5-5 µm Ni + 2 µm Au

B

C

D



Note: The laser device is not designed for any reverse operation

Itemref	Quantity	C-mount			Article No./Reference	
Drawn by W.Z.	Date 2013-05-27	Approved by - date	Material	File name	Scale 7:1	
				Drawing No.	Edition	
				All dimensions are in mm	Sheet	

1

2

3

6

A

B

C

D