

1

2

3

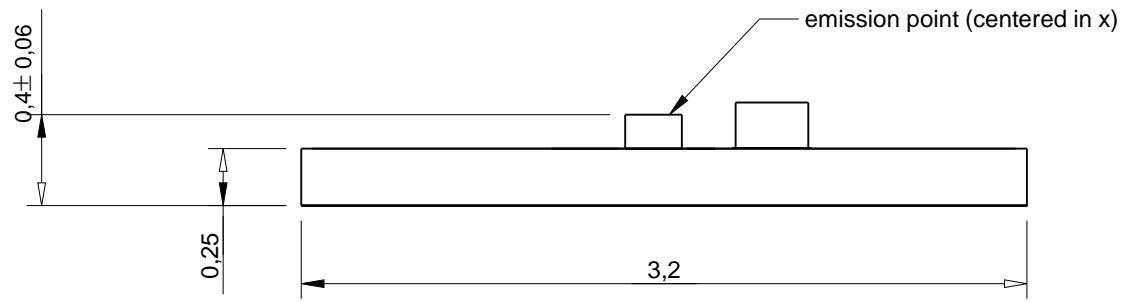
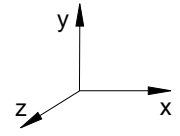
4

5

6

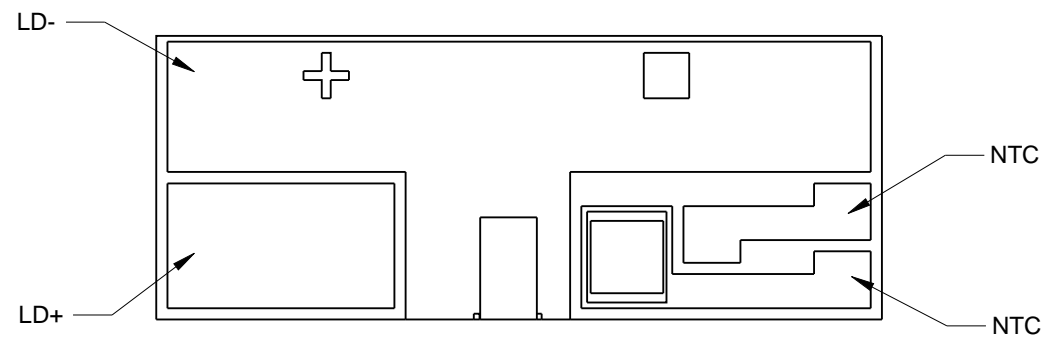
RevNo	Revision note	Date	Signature	Checked
-------	---------------	------	-----------	---------

A



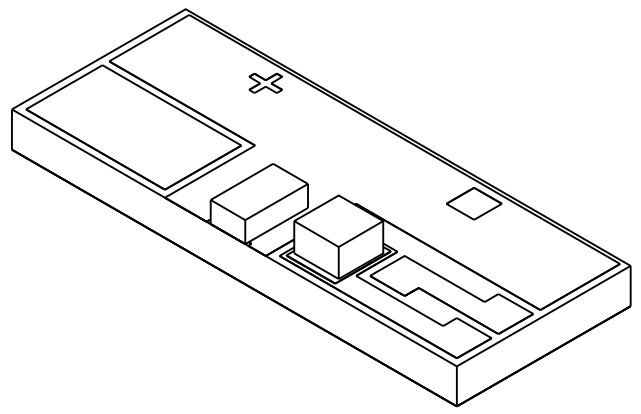
A

B



B

C



C

D

Itemref	Quantity	AIN + LD + NTC				Article No./Reference	
Drawn by WZ		Date 2015-05-11	Approved by - date	Material	File name	Scale	
						Drawing No.	Edition
						All dimensions are in mm	Sheet

D

1

2

3

6