

Note: Package is sealed under dry air (~10 % O2) OR dry nitrogen atmosphere  
 Note: The cap is no heatsink and not suited to be used as contact with a heatsink. Only use the bottom of the base plate for this purpose.  
 Note: The housing must not be used as base for any fixtures (e.g. collimation units)  
 Note: The laser device is not designed for any reverse operation

**Pin Assignment:**

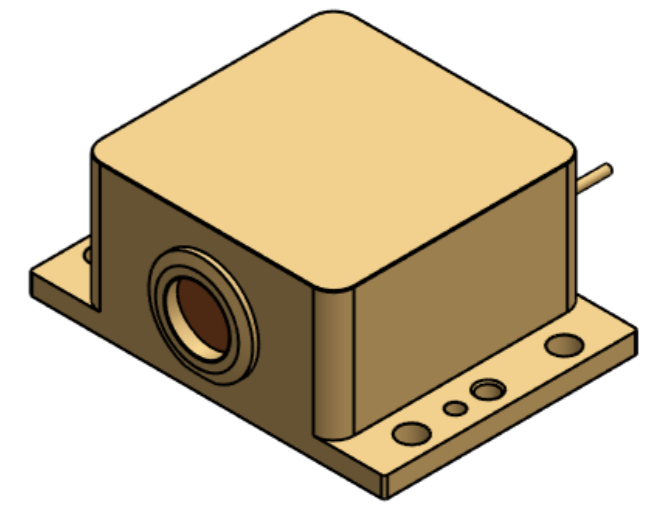
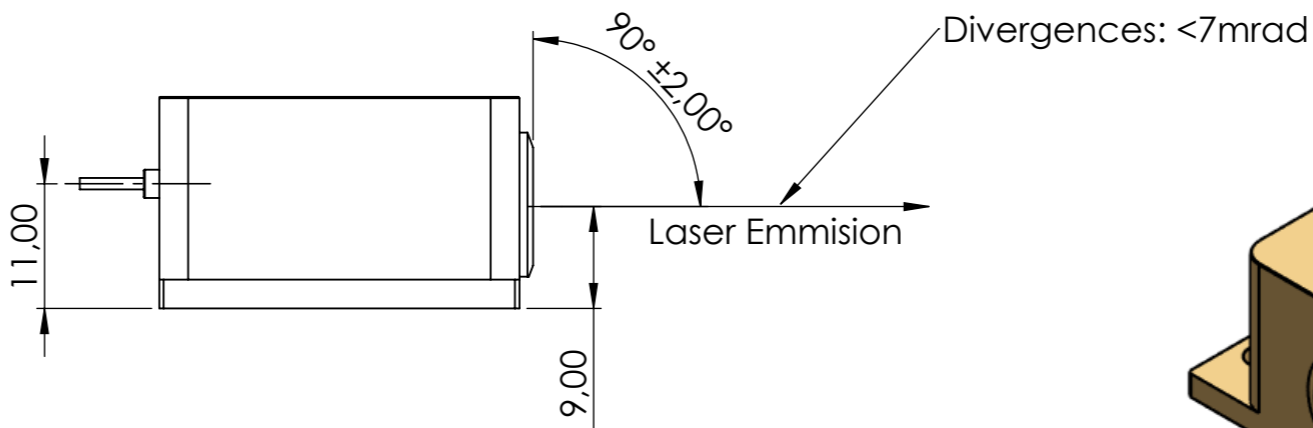
- 1: TEC (-)
- 2: not mounted
- 3: LD (-)
- 4: LD (-)
- 5: LD (-)
- 6: NTC
- 7: NTC
- 8: LD (+)
- 9: LD (+)
- 10: TEC (+)

**Emission point:**

centered on window  
 x: ±0.3  
 y: ±0.3

**Window Material:**

ZnSe



Material:		Description:	
Finish:		Drawn by: OK	
Unless Otherwise Stated: ISO 2768 fK Surface Finish: All Dimensions: mm		Drawn Date: 24.08.2023	
Drawing Scale: 1.5:1		Checked/Approved by: WZ	
Approx Weight: 115g	Drawing Produced In Accordance With: BS8888	Checked/Approved Date: 26.10.2023	
Projection Method: THIRD ANGLE	Sheet Size: A3	Legal Owner:	
		Part Name: HHL-Housing V1.0	
		Drawing Number:	Sheet: Revision: