



FRLD-1535-200µJ-Q-BE25

Erbium Glass Laser with Beam Expander

Applications

- Laser Ranging
- Laser Remote Sensing
- Lidar

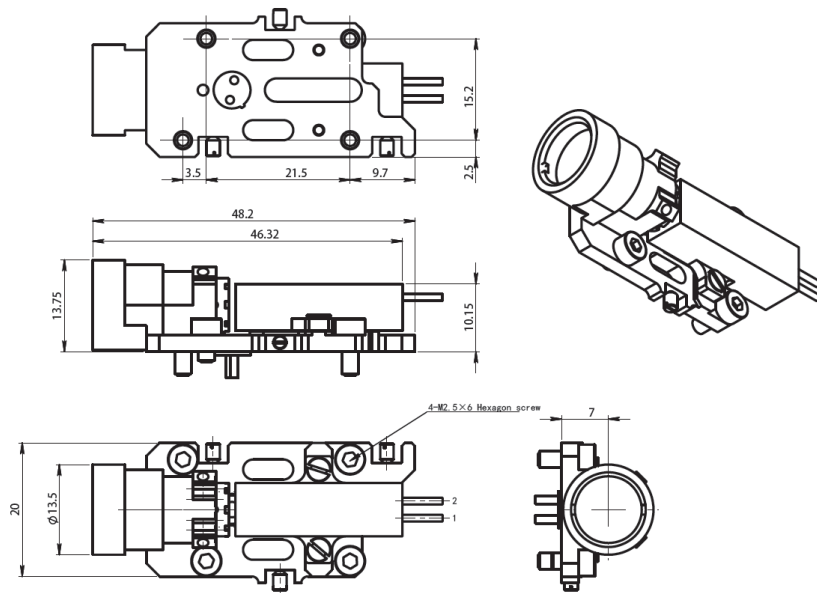
Key Features

- 1535nm, Eye-safe
- Integrated PD
- Divergence Angle <0.5mrad
- Compact Structure
- High Reliability

Specifications

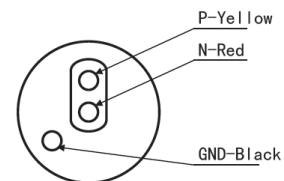
Wavelength (nm)	1535
Pulse Energy (µJ)	200
Pulse Width (FWHM) (ns)	5
Pulse Repetition Rate (Hz)	10
Operation Current (A)	10
Operation Voltage (V)	1.8
Beam Diameter (mm)	8
Beam Divergence (mrad)	0.5 (FWHM, typical)
Magnification	25x
Vibration / Shock	5Hz, 2.5G / 1ms, 100G (axial)
Operating Temperature (°C)	-40~+65
Storage Temperature (°C)	-55~+80 (rel. humidity ≤85%)
Lifetime (hours)	≥5000

Drawing (Dimensions in mm)



Pin	Function
1	Laser (+)
2	Laser (-)

Laser Pin Descriptions



PD Pin Descriptions