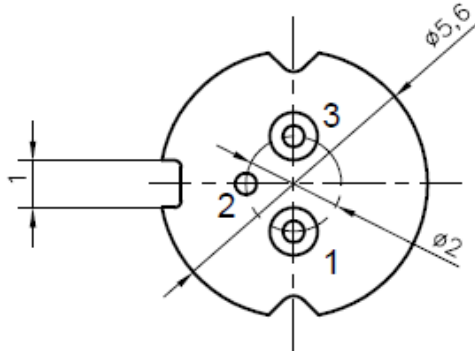


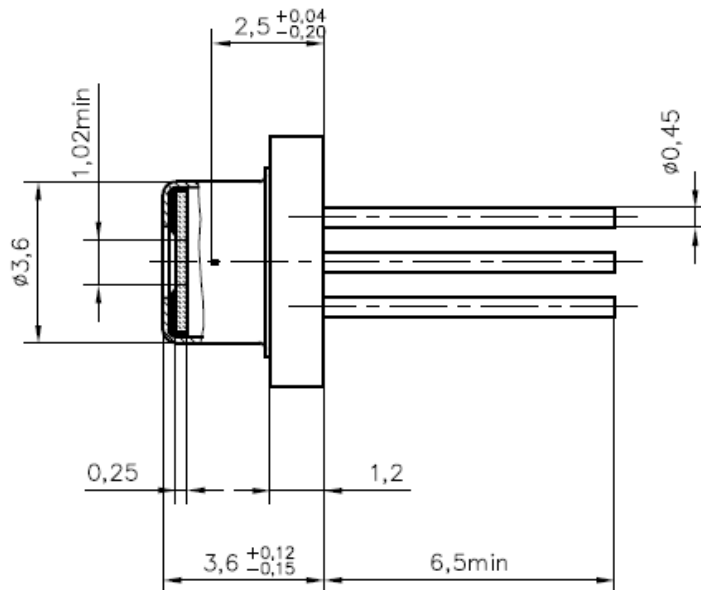
Package FSLD-TO56

Drawing
(all dimensions in mm)

Back View



Side View



Electrical Connections

Option 1

- 1: SLD Cathode (-)
- 2: Common, Case (+)
- 3: Anode PD (-)

Option 2

- 1: SLD Anode (+)
- 2: Common, Case (-)
- 3: Cathode PD (+)