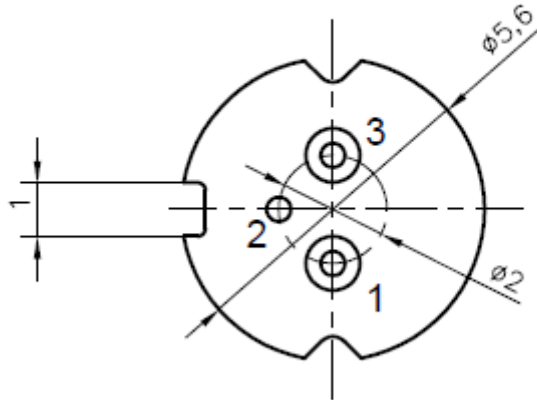


## Package FSLD-TO56

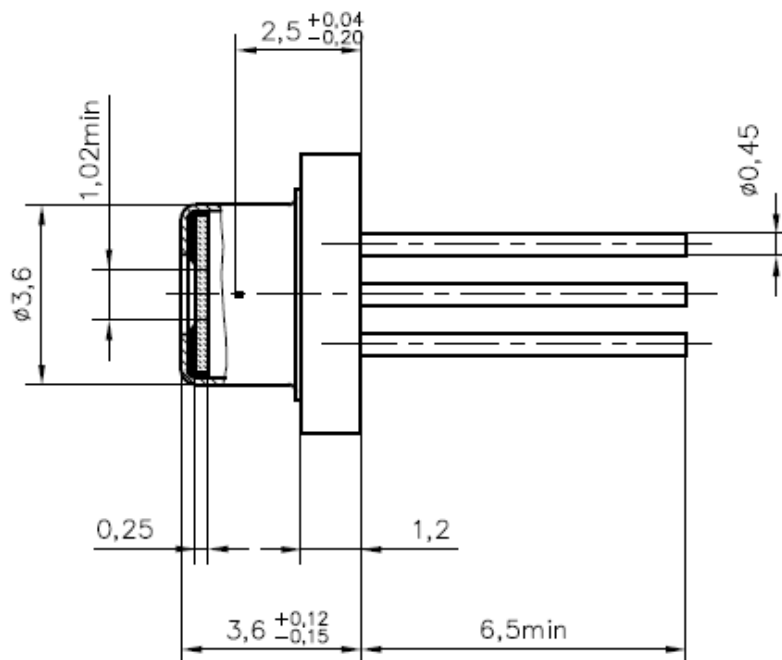
### Drawing

(all dimensions in mm)

#### Back View



#### Side View



### Electrical Connections

- 1: SLD Anode (+)
- 2: Common, Case (-)
- 3: Cathode PD (+)