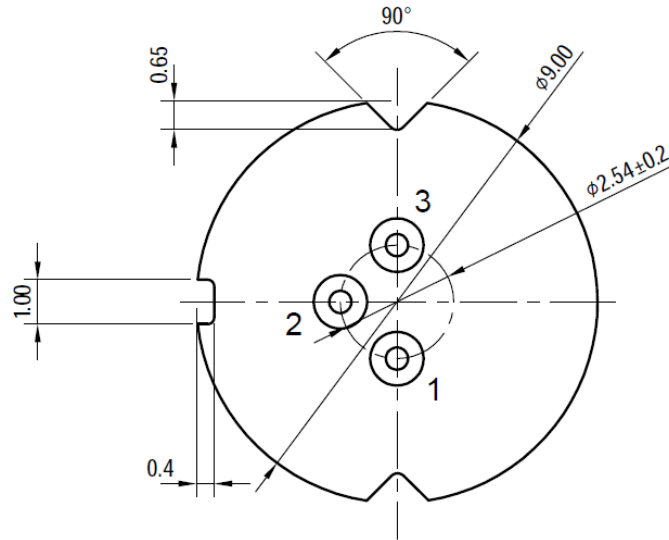


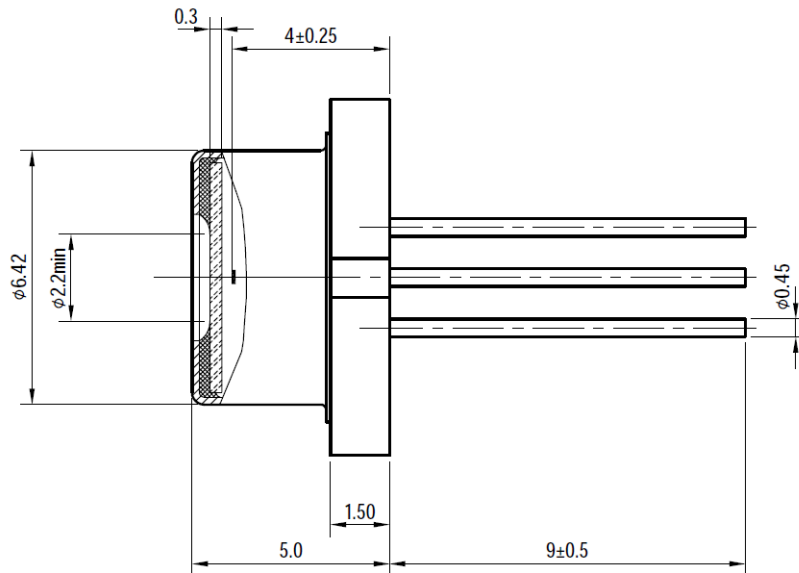
# Package FSLD-T09

## Drawing (all dimensions in mm)

### Back View



### Side View



### Electrical Connections

- 1: SLD Anode (+)
- 2: Common, Case (-)
- 3: PD Cathode (+)